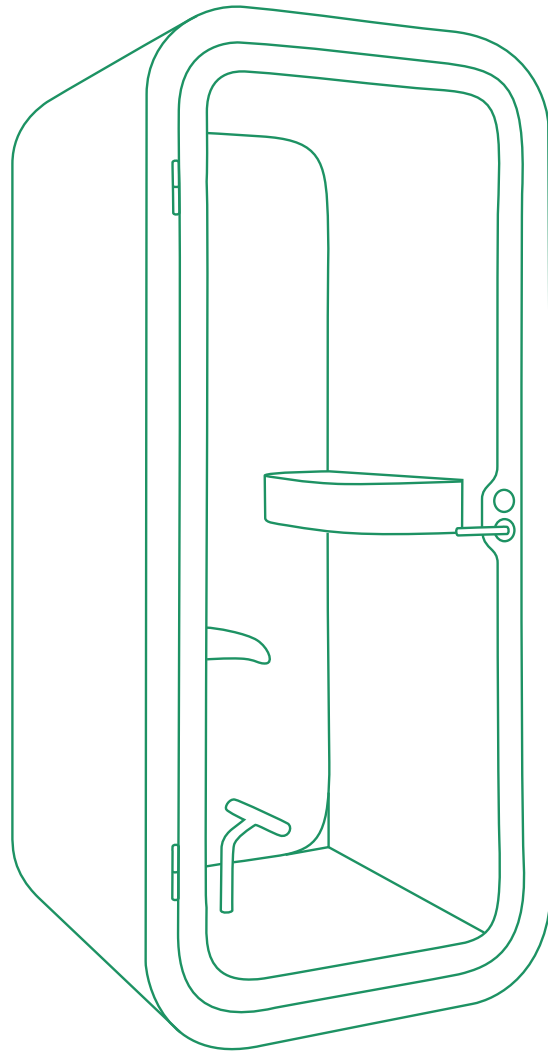


framery

SERIOUS ABOUT HAPPINESS



Framery O
Fire safety

English
Version 1.0

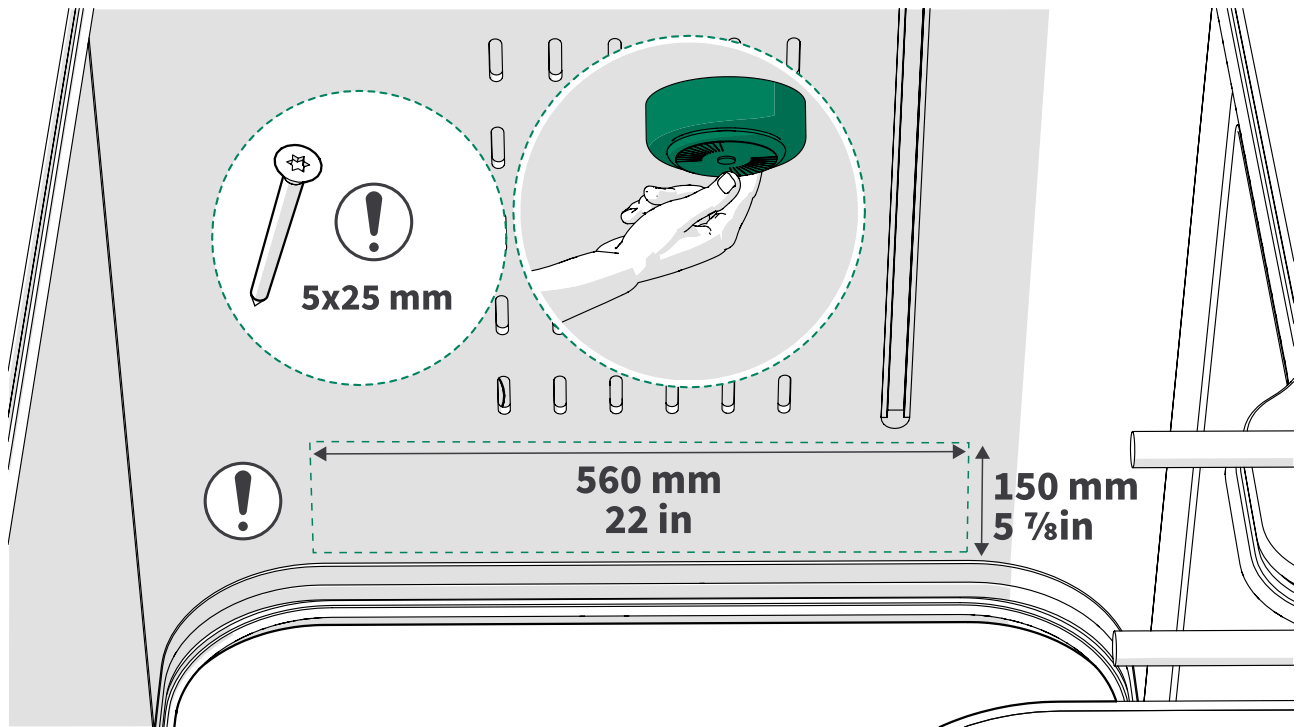
Contents

1 Install the fire alarm.....	5
2 Install the customer supplied sprinkler.....	10
2.1 Prepare the installation.....	10

1 Install the fire alarm

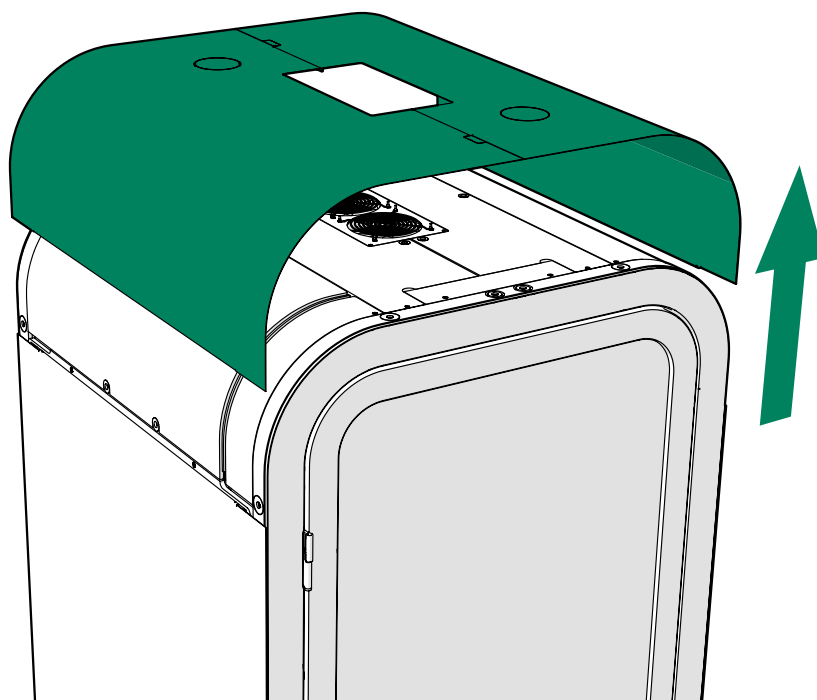
You can install a wireless or wired alarm. Install the fire alarm onto the ceiling felt at the back of the pod.

- ⚠ **Note:** The installation area is approx. 150 mm (6 in) from the rear ABS strip towards the front of the pod at the straight portion of the ceiling felt.
- ⚠ **Note:** The maximum recommended screw size is 5x25 mm.

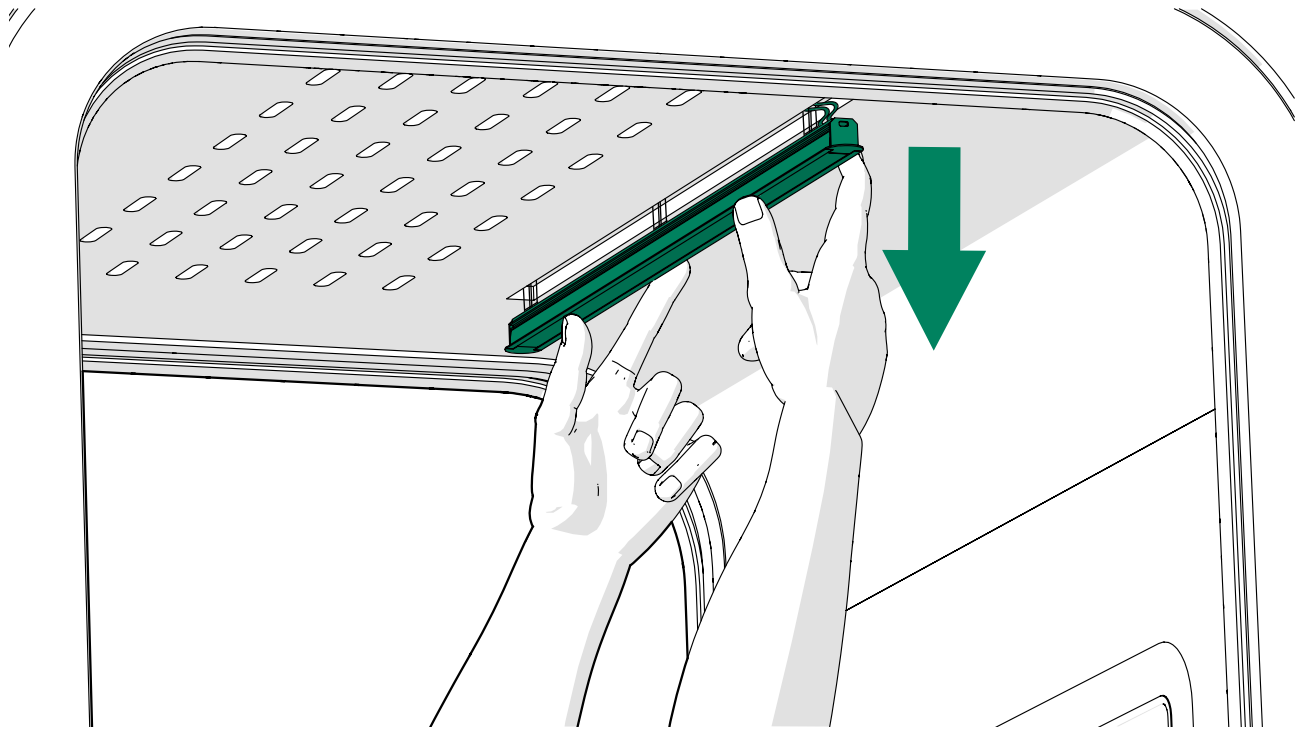


If you intend to install a wired alarm, follow these instructions.

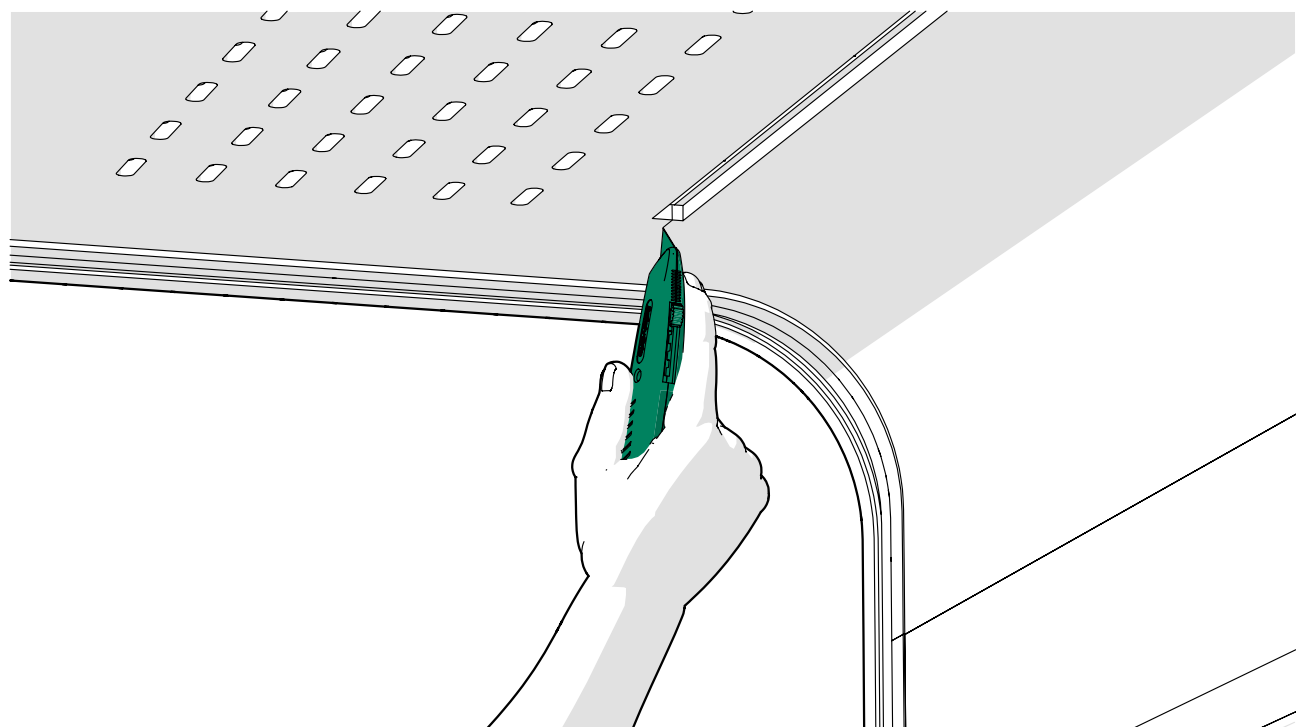
1. Remove the roof body cover.



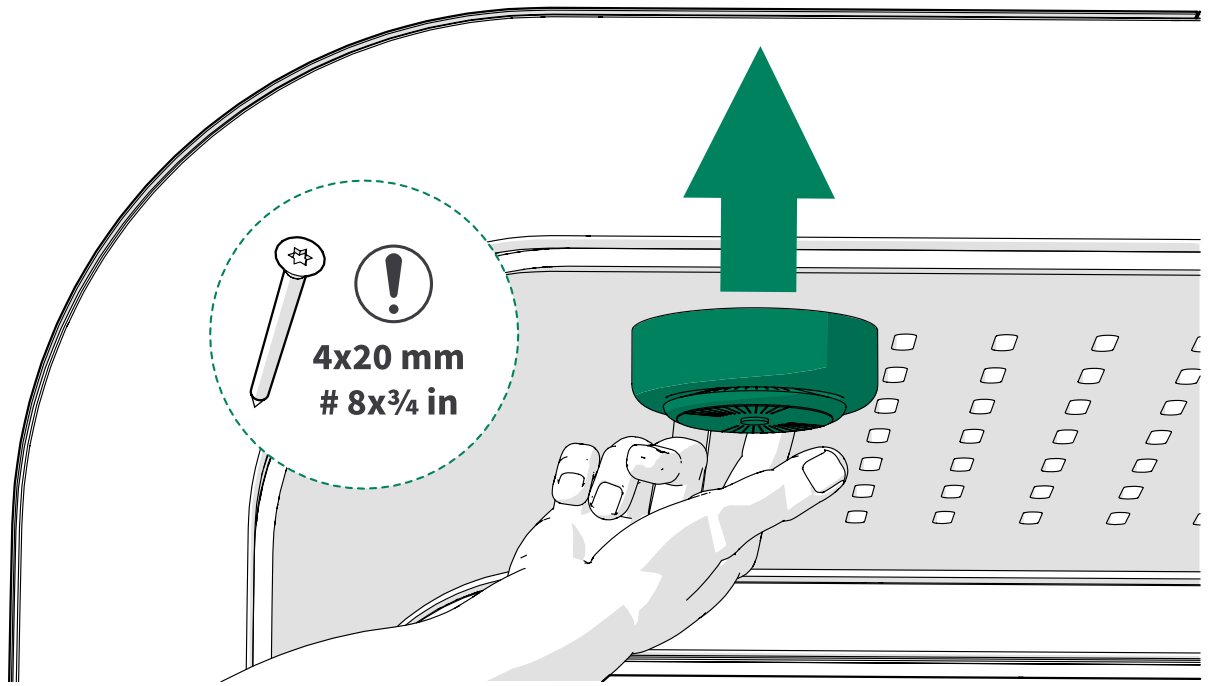
2. Remove the light.



3. Cut a notch in the ceiling felt. Use a utility knife.

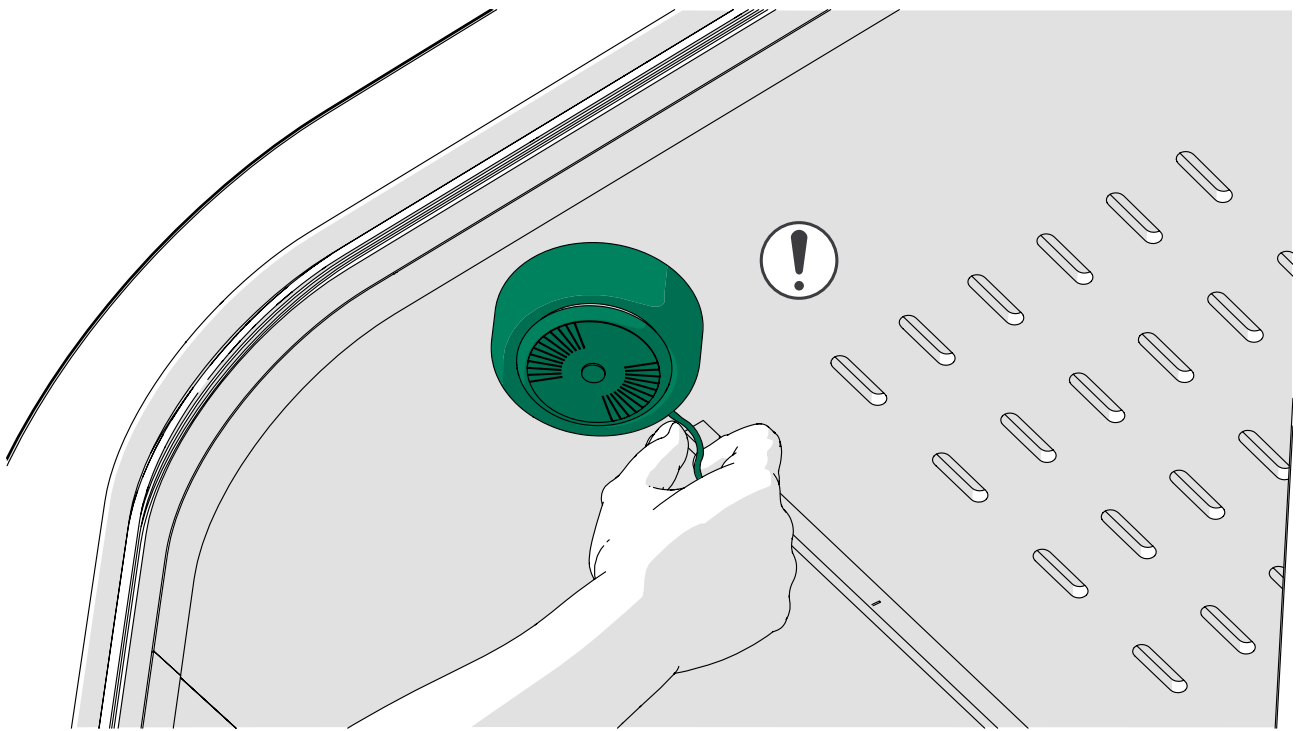


4. Install the fire alarm with 4x20 mm (#8 x 3/4 in) screws through the ceiling felt.

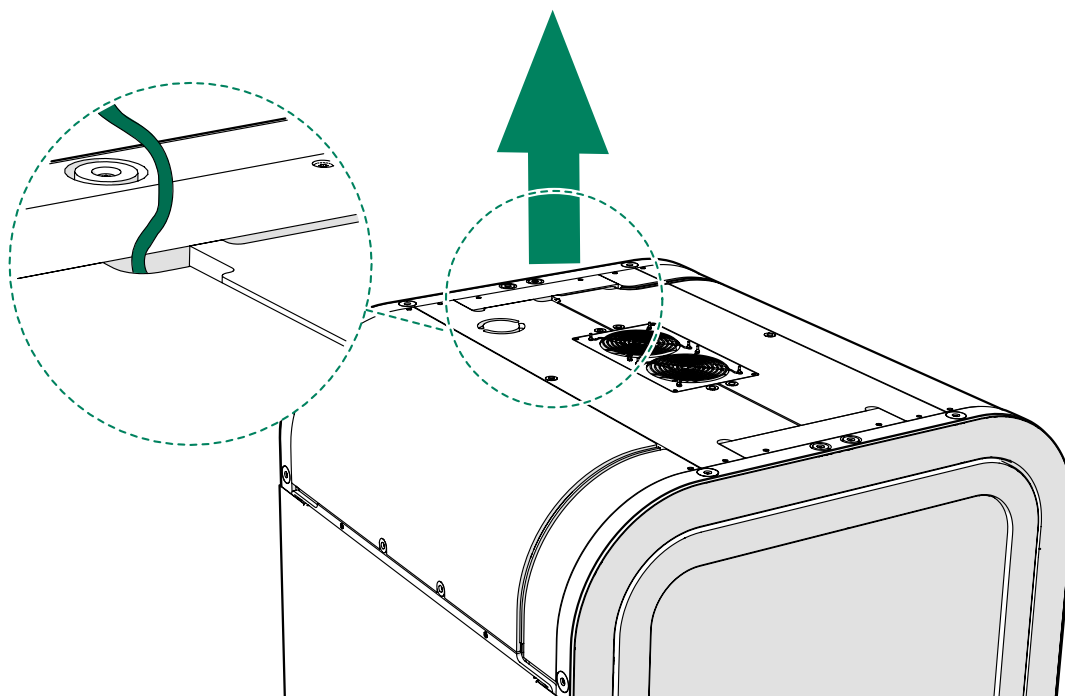


5. Guide the electrical wiring for the fire alarm under the light and through the notch in the roof.

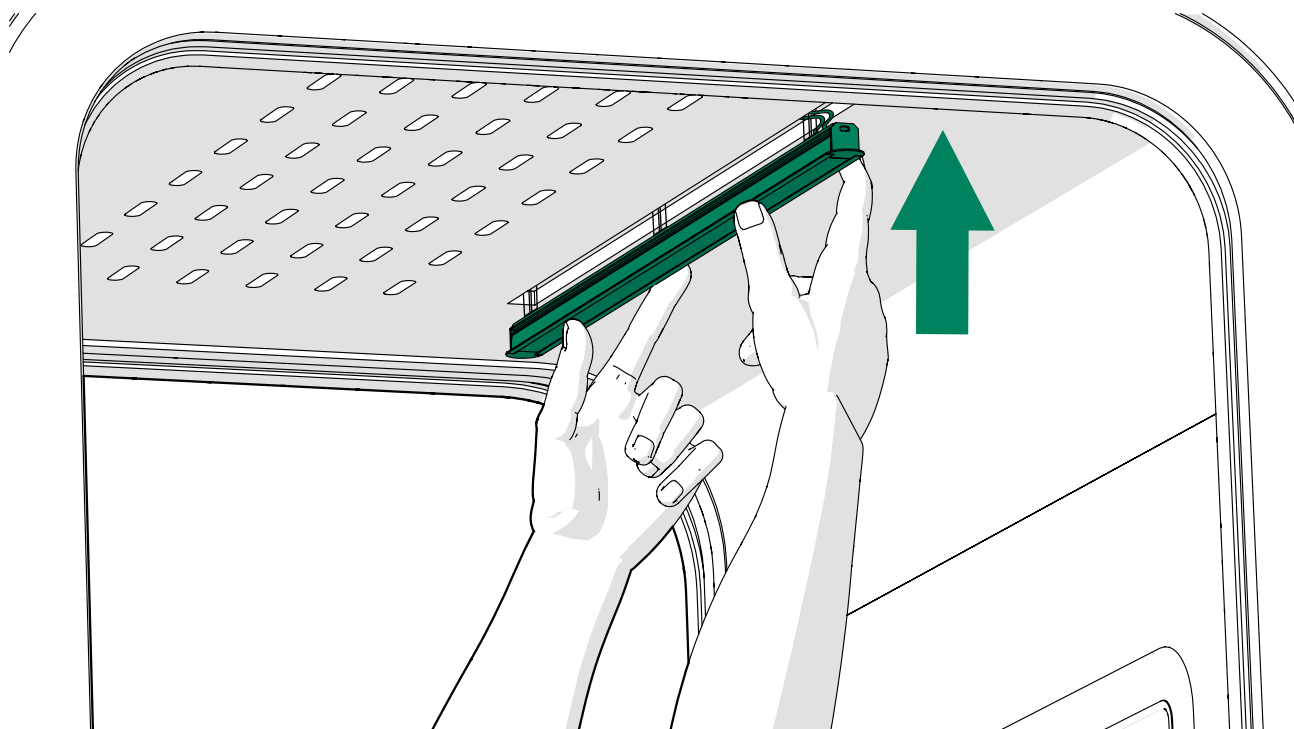
⚠ **Note:** Make sure that the wiring can move freely and that it is not stuck between the edge of the light and the ceiling felt.



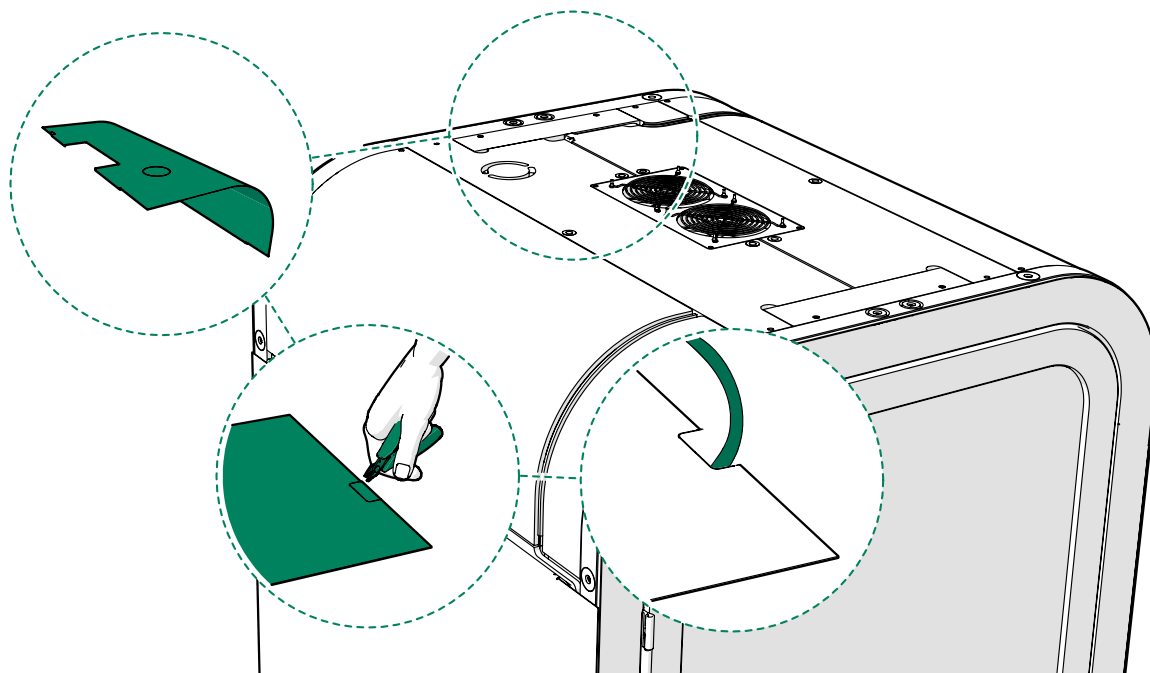
6. Guide the electrical wiring out of the notch in the roof.



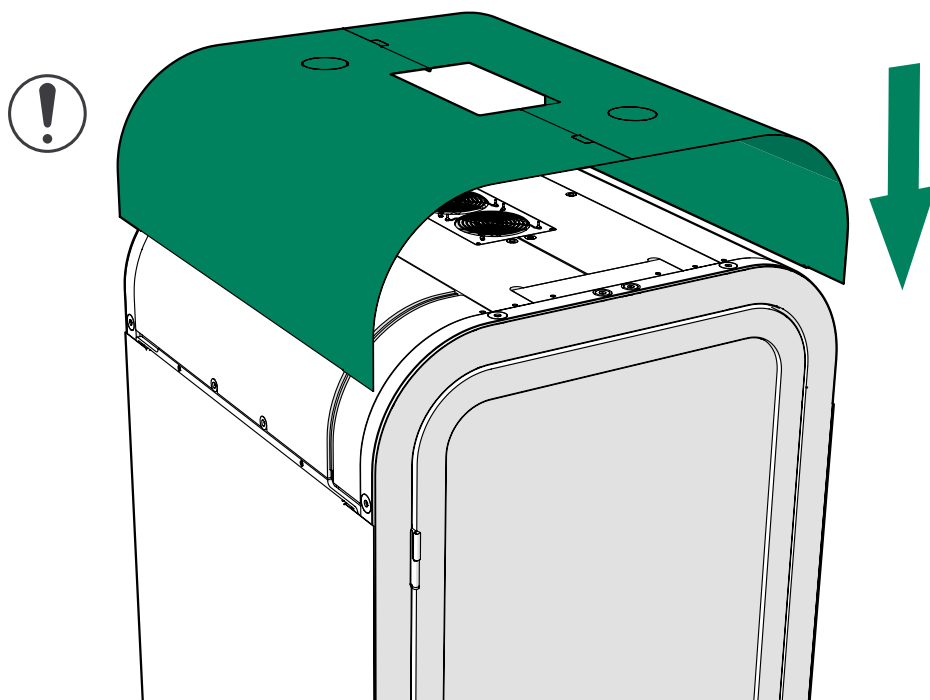
7. Reinstall the light.



8. Cut a notch in the roof cover panel for the electrical wiring.



9. Reinstall the roof body covers.



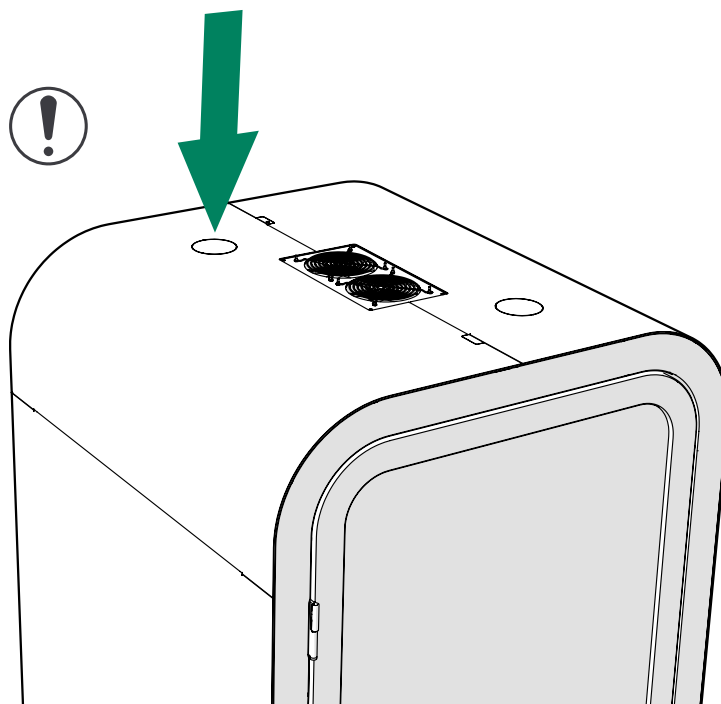
2 Install the customer supplied sprinkler

ⓘ **Note:** To install the piping, see the sprinkler manufacturer's instructions.

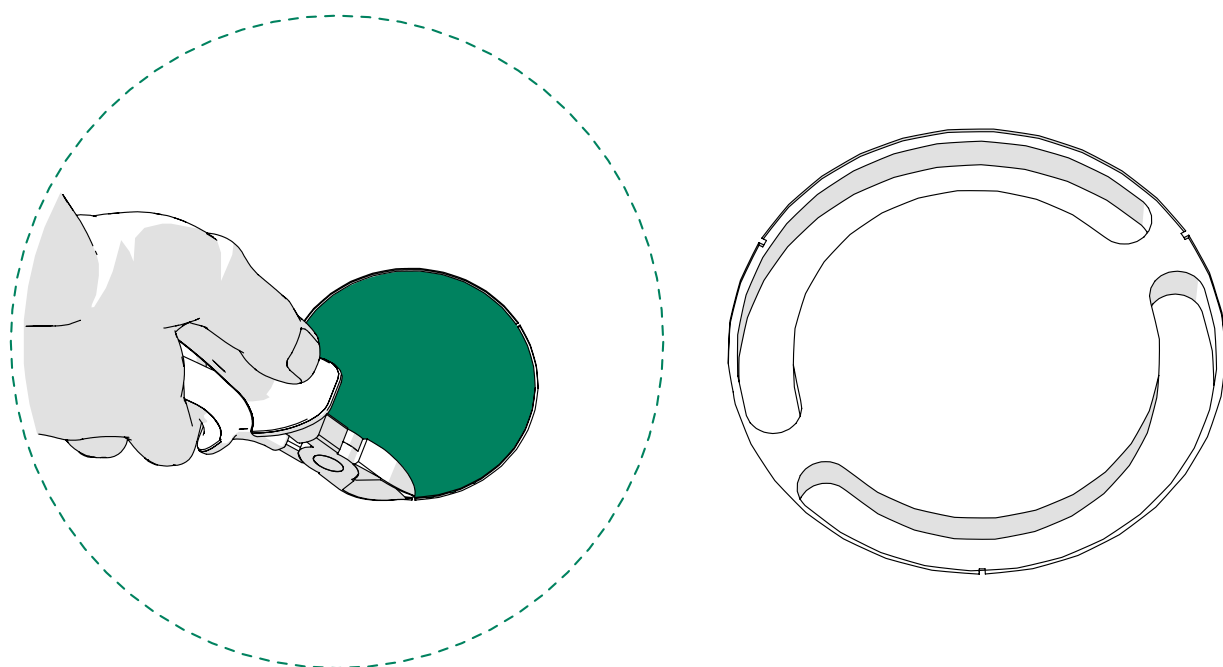
2.1 Prepare the installation

Install the sprinkler at the back of the pod.

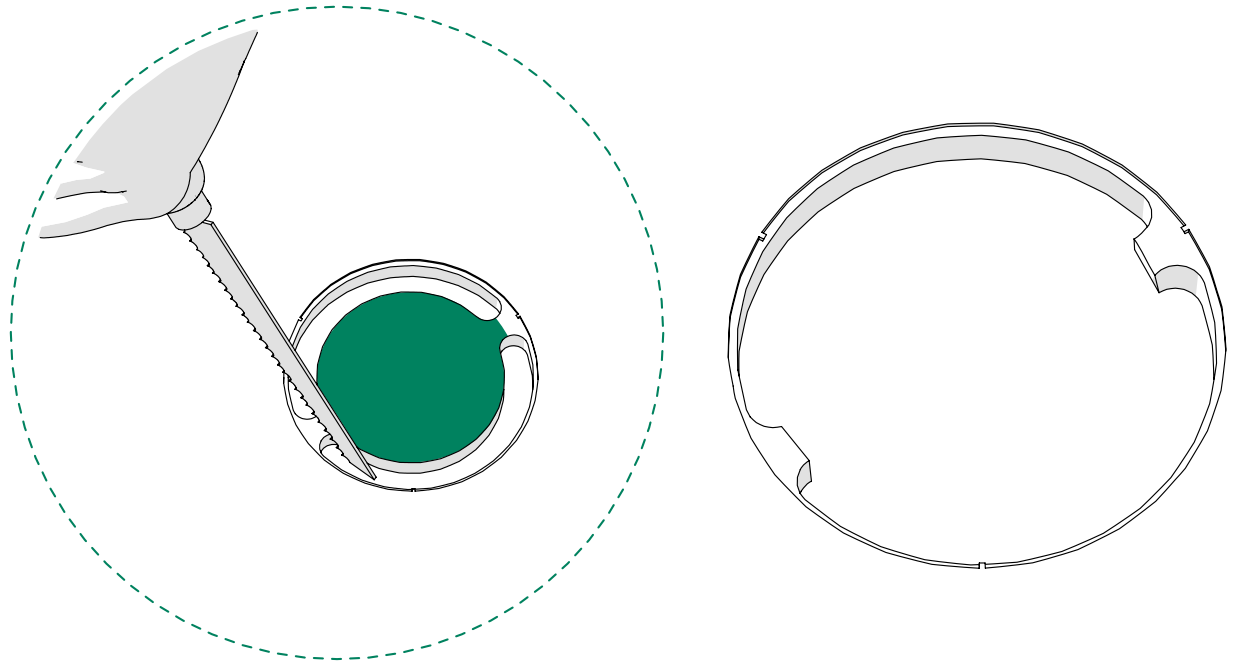
ⓘ **Note:** Use the hole at the back of the pod for the sprinkler head.



1. Cut away the flap on the roof body cover. Use side cutters.



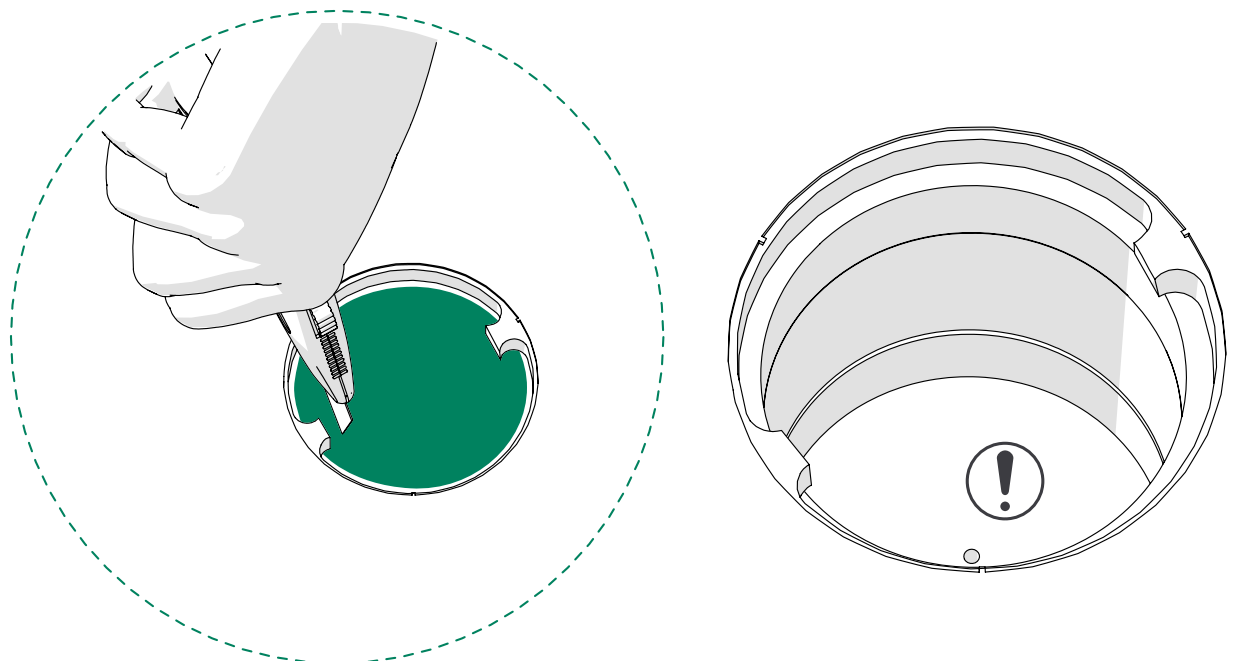
2. Cut away the flap on the plywood plate. Use a key saw or a 83 mm (3 ¼ in) hole saw.



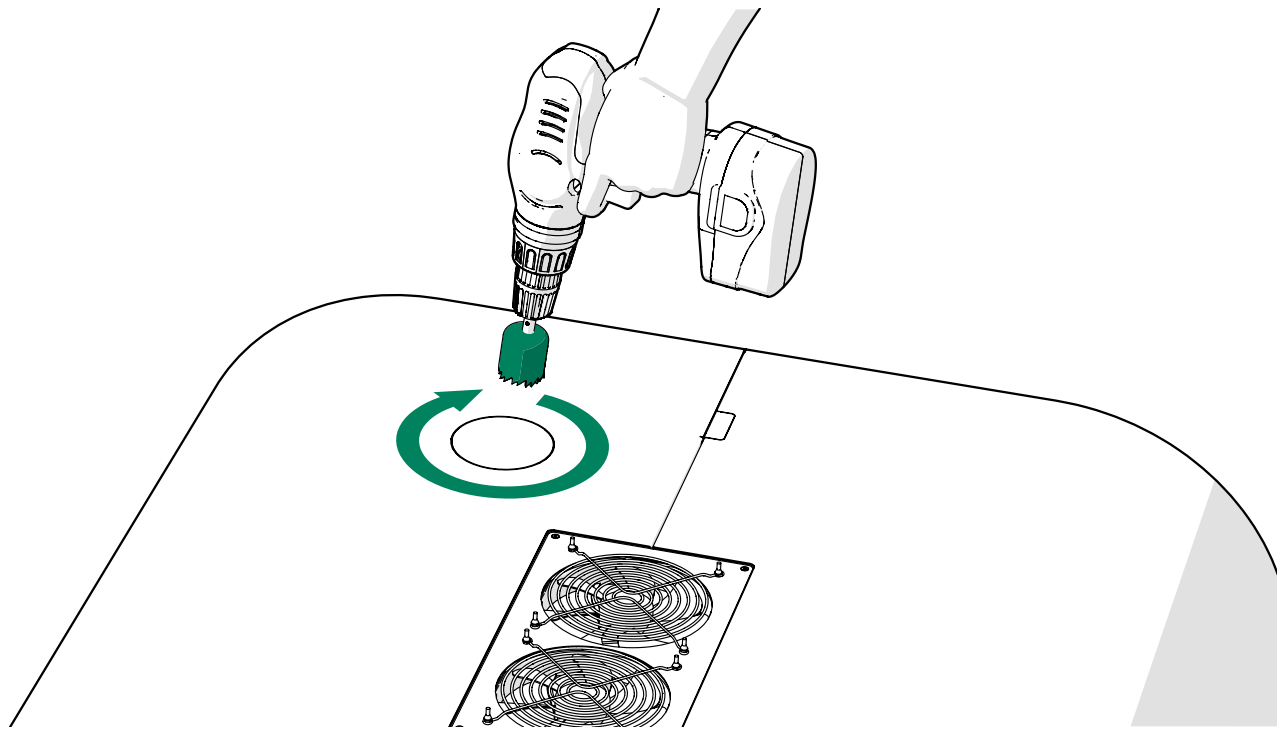
3. Cut the three layers of acoustic material for leading a pipe through them. Use a utility knife or a 70-80 mm (3 1/3 in) hole saw.

⚠ **Note:** Leave the ceiling felt intact.

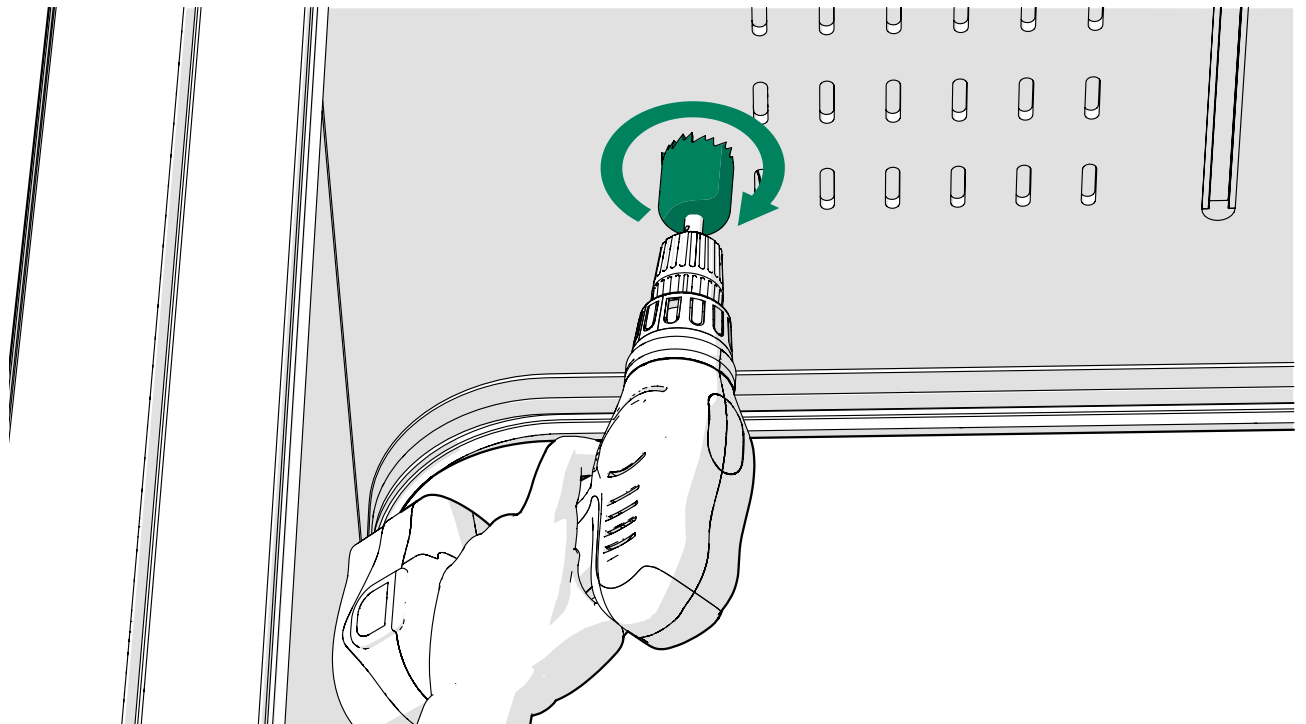
⚠ **Note:** Use snippers to remove the inner sheet metal from between the acoustic panels.



4. Drill a pilot hole through the ceiling felt from above.



5. Cut out a hole in the ceiling felt for the sprinkler head from the inside of the pod. You can use a hole saw or utility knife. If you use a hole saw, chose the size according to the size of the sprinkler head.



framery

Framery O

Fire safety

Patamäenkatu 7

33900 Tampere

FINLAND

VAT: FI 23527139