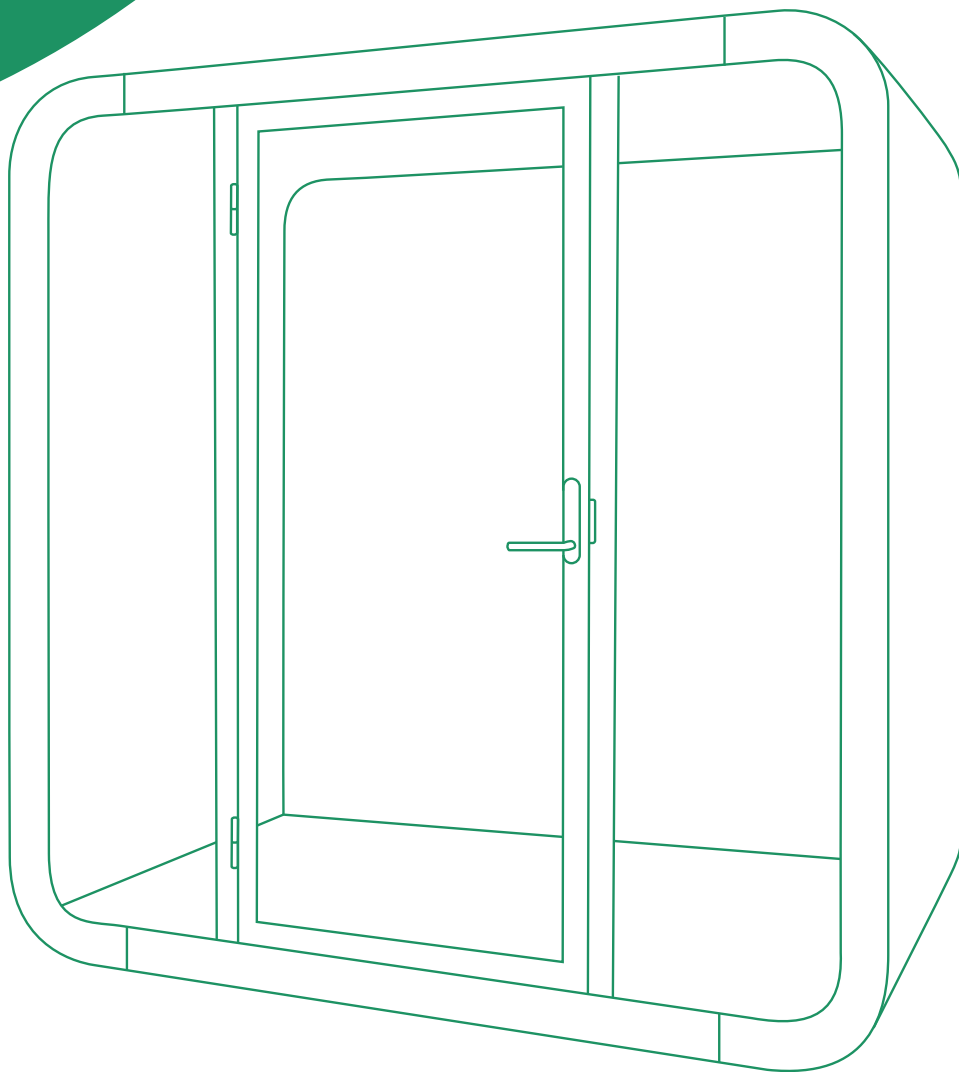


# framery

SERIOUS ABOUT HAPPINESS



Framery Q  
Fire safety

English  
Version 1.0



# Contents

<b>1 Install the fire alarm.....</b>	<b>5</b>
<b>2 Install the fire suppression system.....</b>	<b>12</b>
2.1 Prepare the installation.....	12
2.2 Install the mounting rails.....	15
2.3 Install the cylinder and sprinkler.....	17

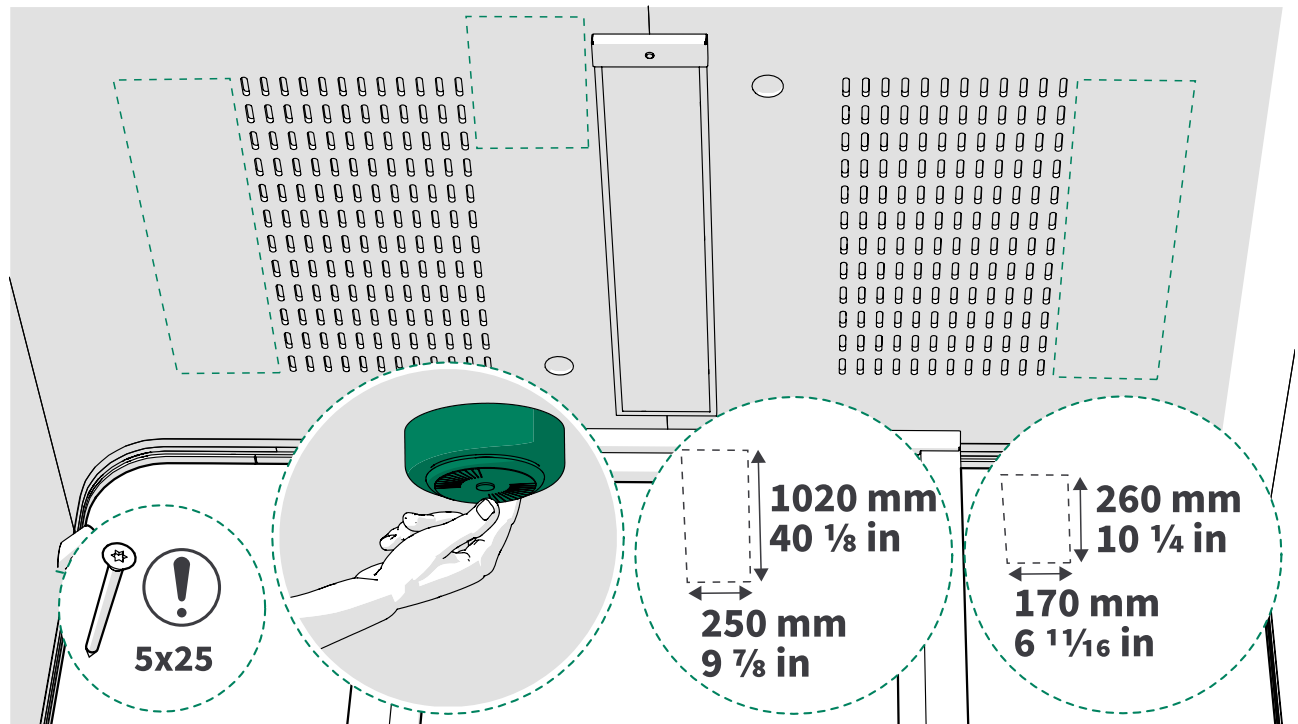


# 1 Install the fire alarm

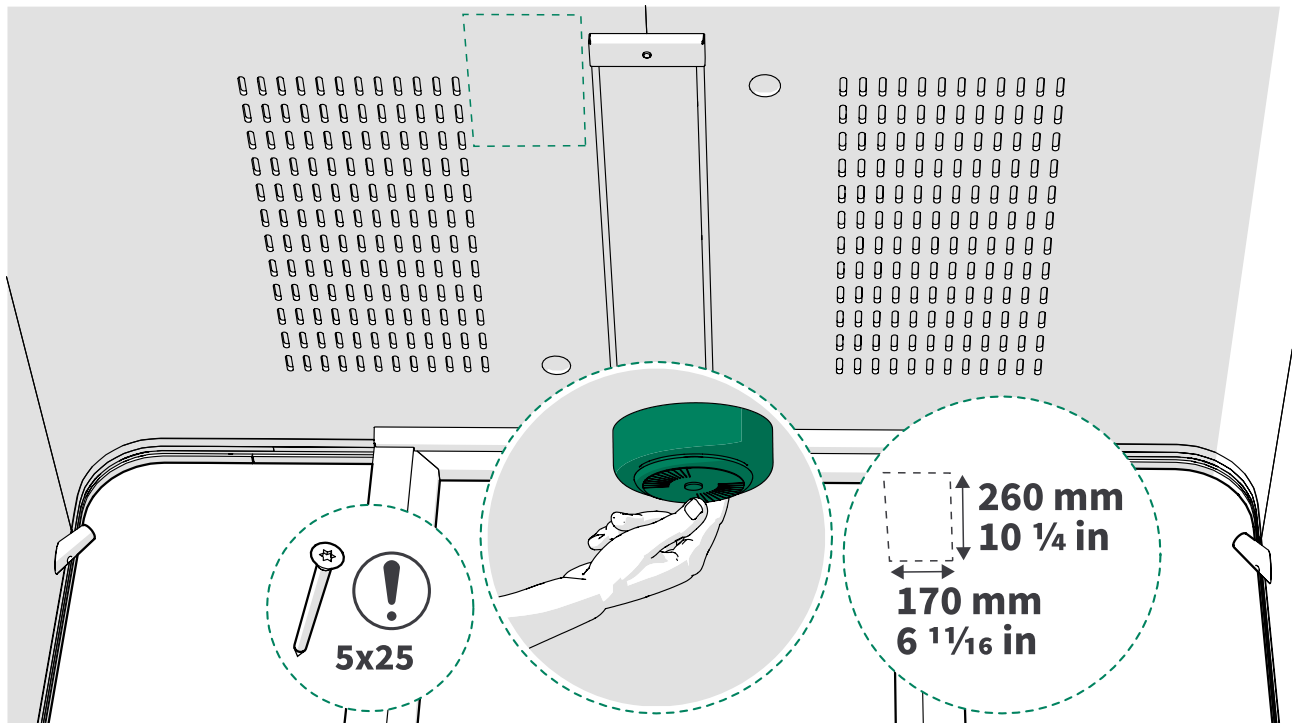
If you intend to install a wireless fire alarm, there are three areas in the pod where you can install the alarm.

If you intend to install a wired alarm, there is one area at the back of the pod where you can install the alarm.

**Note:** The maximum recommended screw size is 5x25.

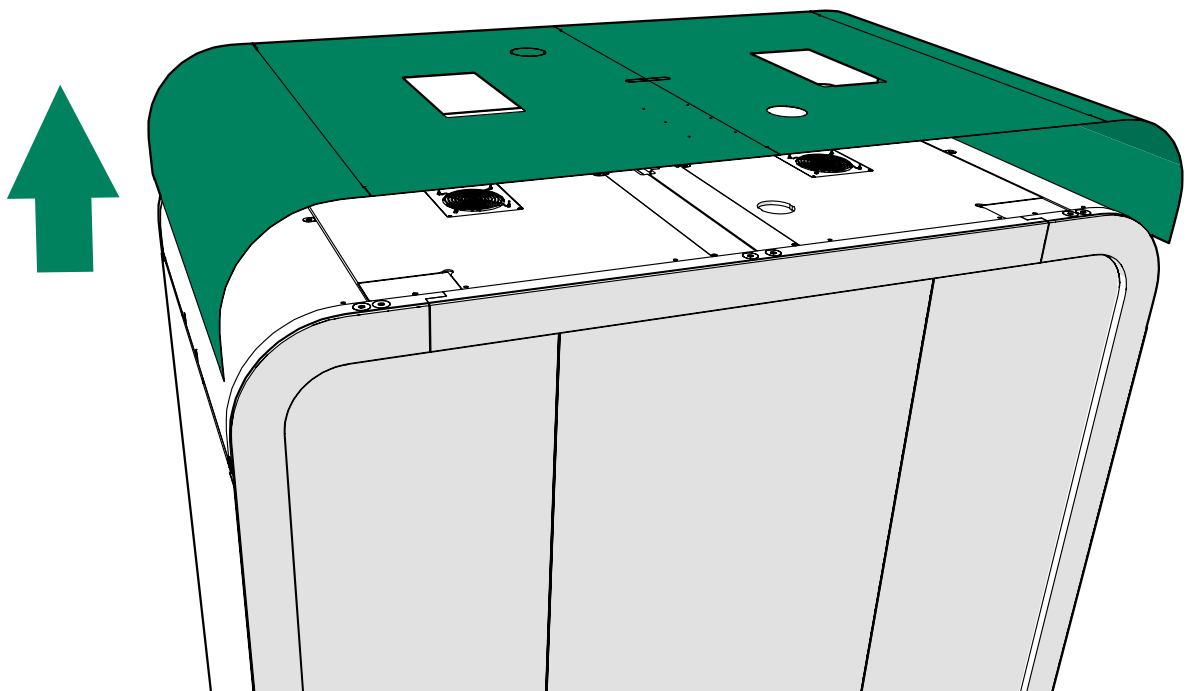


**Figure 1:** The size of the installation areas for a wireless alarm is 1020 mm x 250 mm (40 1/8 in x 9 7/8 in) at the sides of the roof and 260 mm x 170 mm (10 1/4 in x 6 11/16 in) at the center back of the roof.

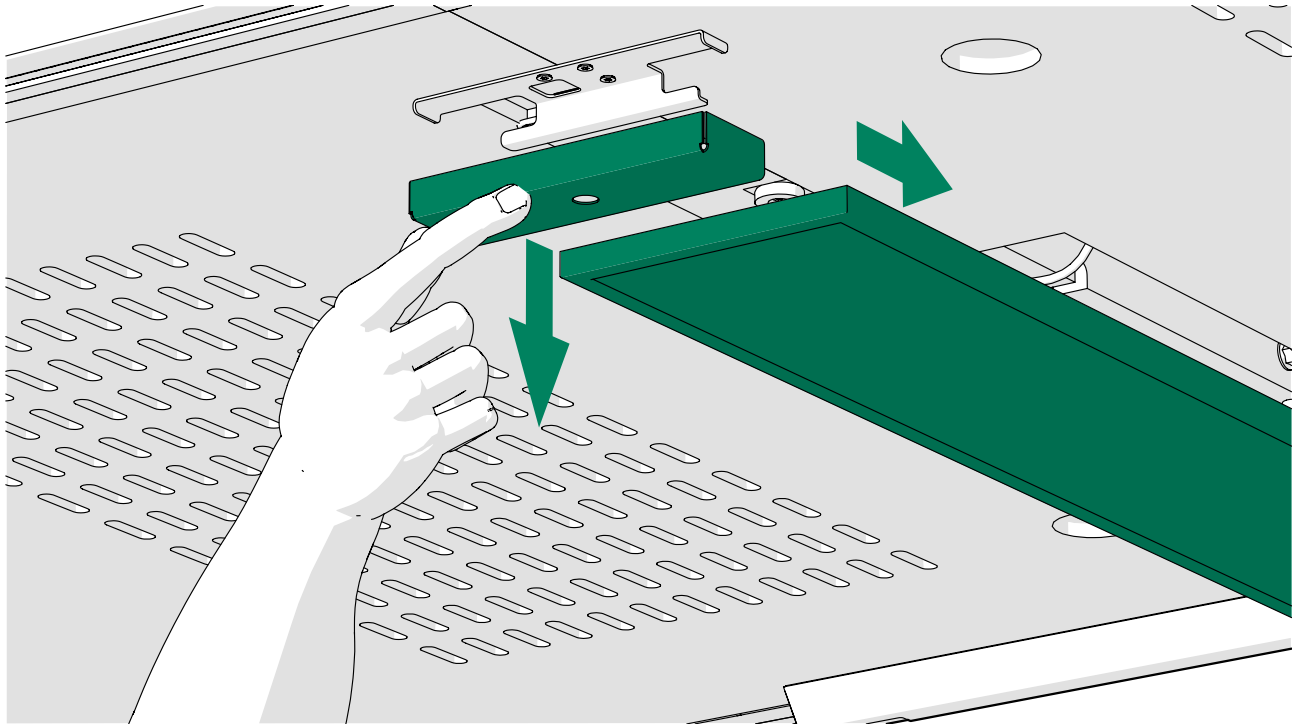


**Figure 2: The size of the installation area for a wired alarm is 260 mm x 170 mm (10 1/4 in x 6 11/16 in) at the center back of the roof.**

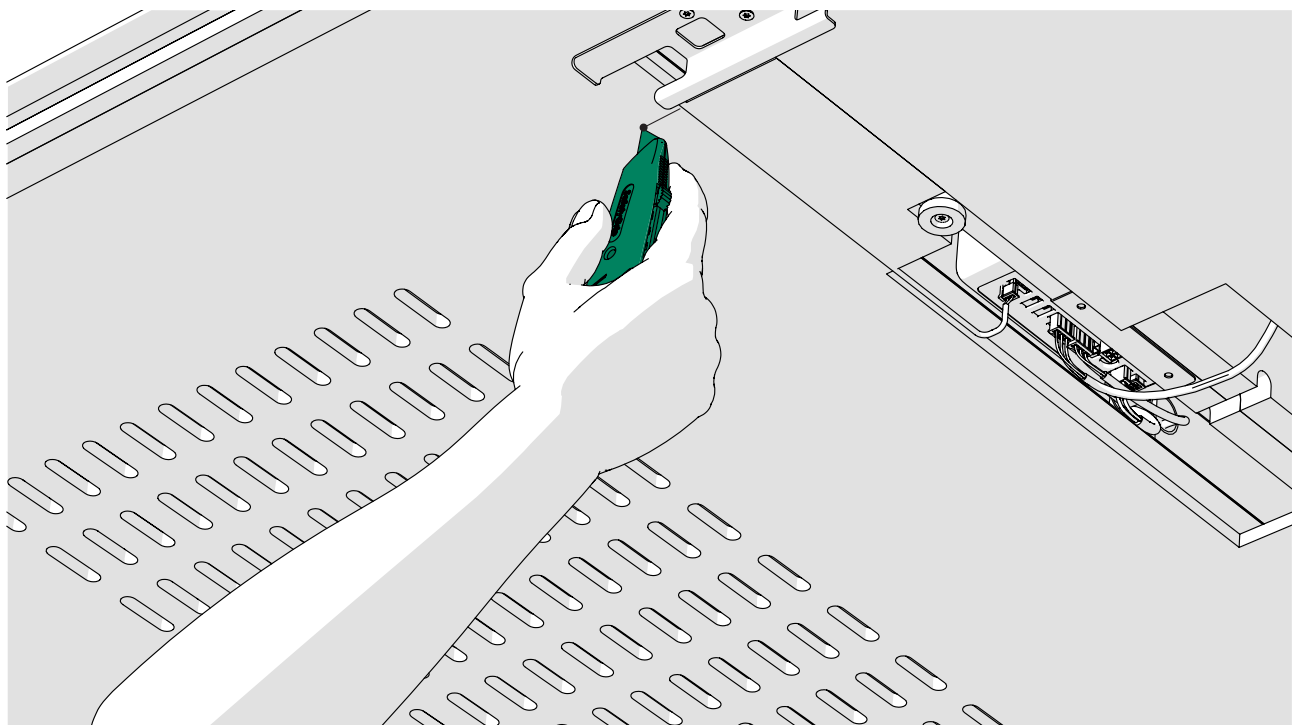
1. Remove the roof body covers.



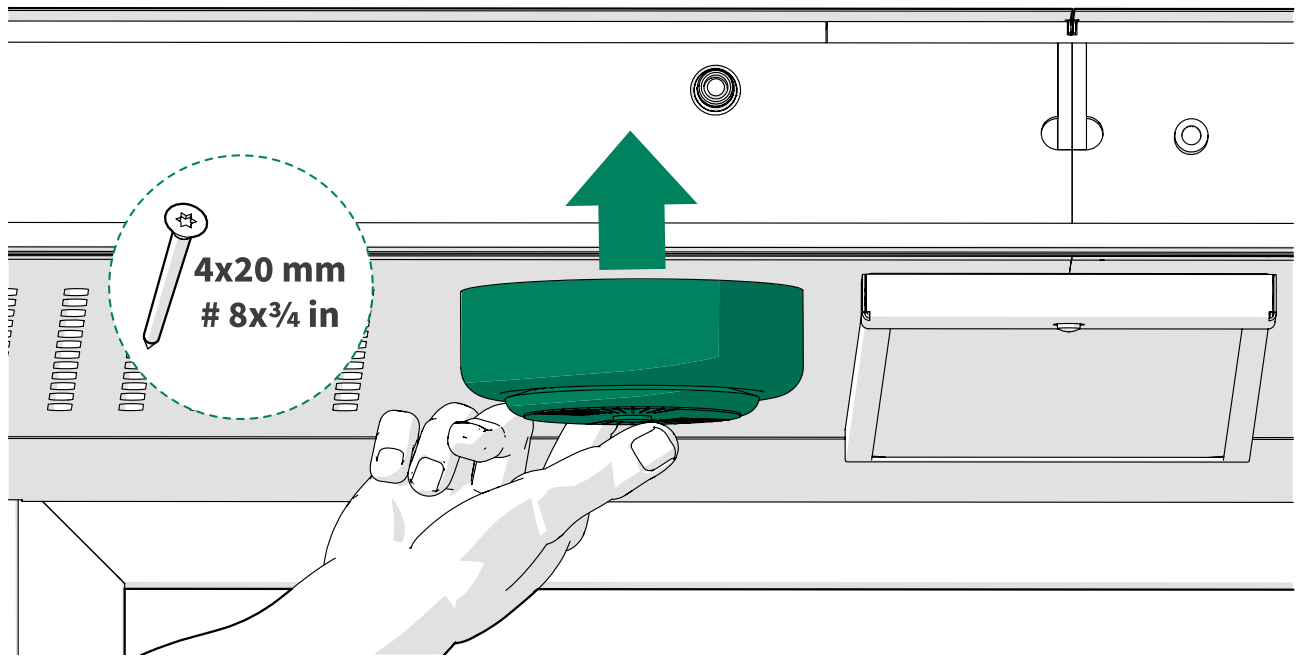
2. Remove the light and motion detector (light first).



3. Cut a notch in the ceiling felt for the electrical wiring under the motion sensor. Use a utility knife.

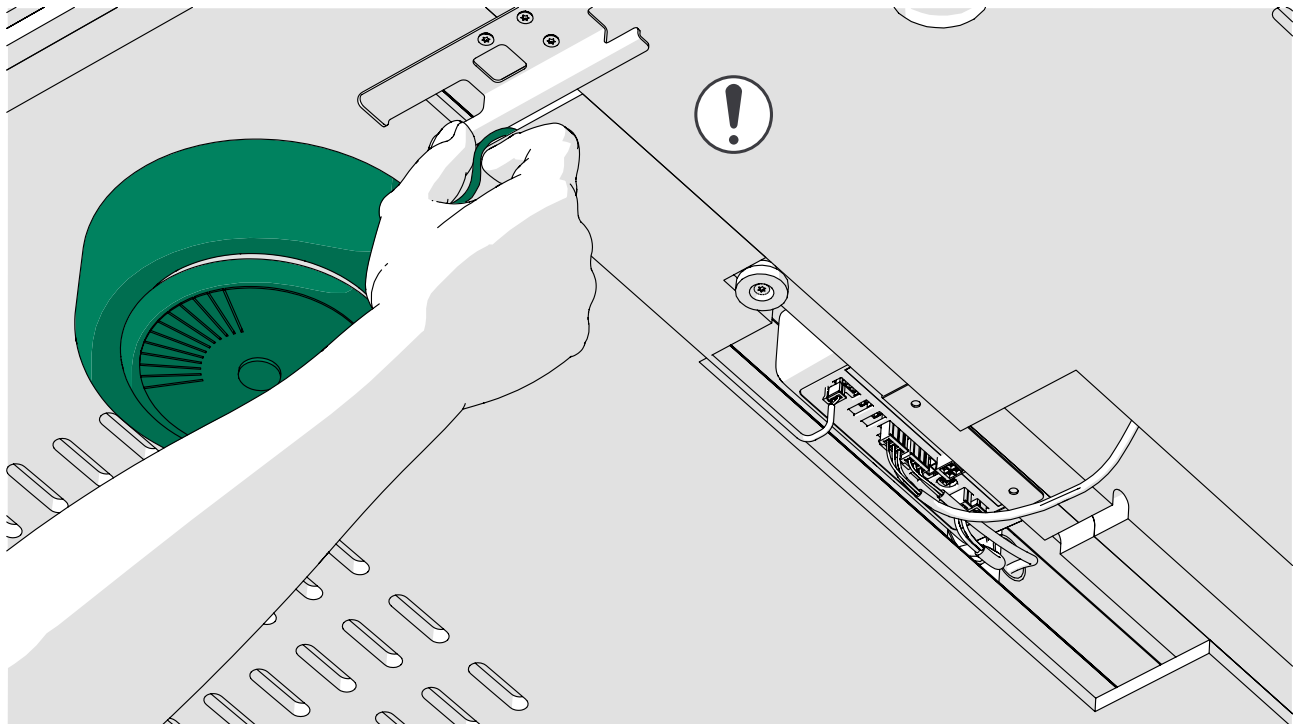


4. Install the fire alarm with 4x20 mm (#8 x ¾ in) screws through the ceiling felt.



5. Guide the electrical wiring through the notch.

⚠ **Note:** Make sure that the wiring can move freely and that it is not stuck between the edge of the motion detector and the ceiling felt.

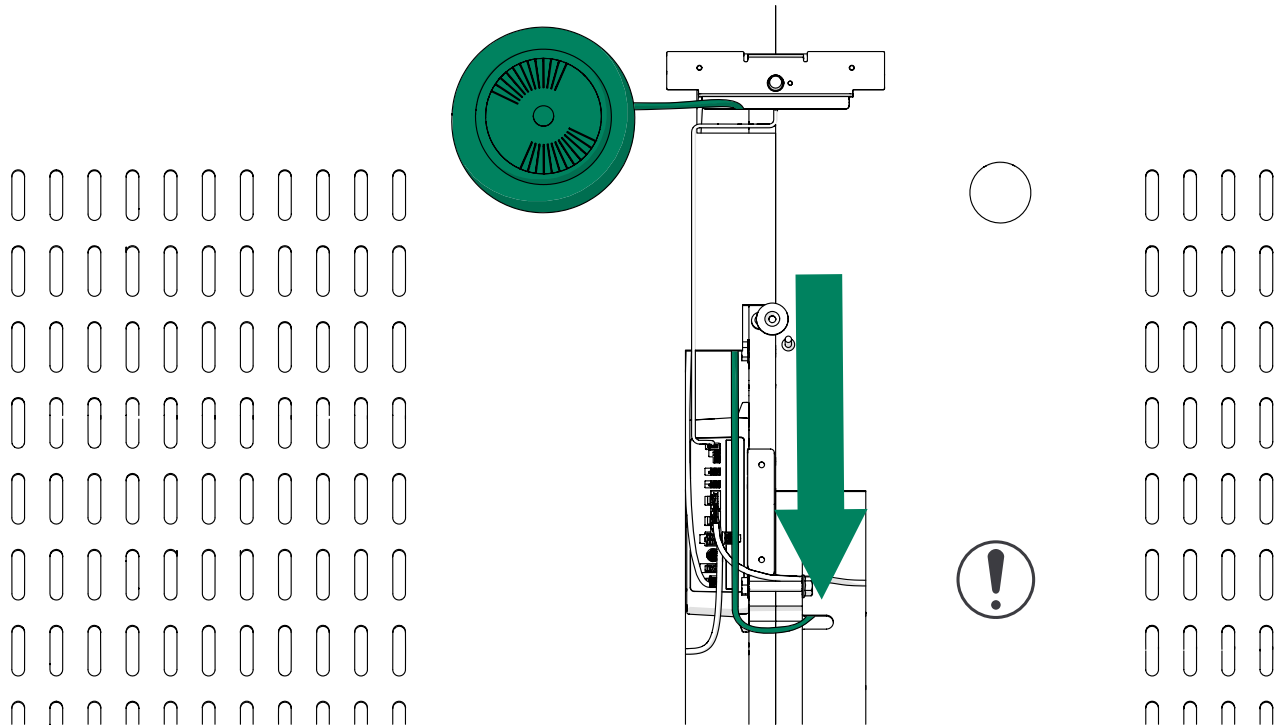




6. Guide the electrical wiring for the fire alarm under the light.

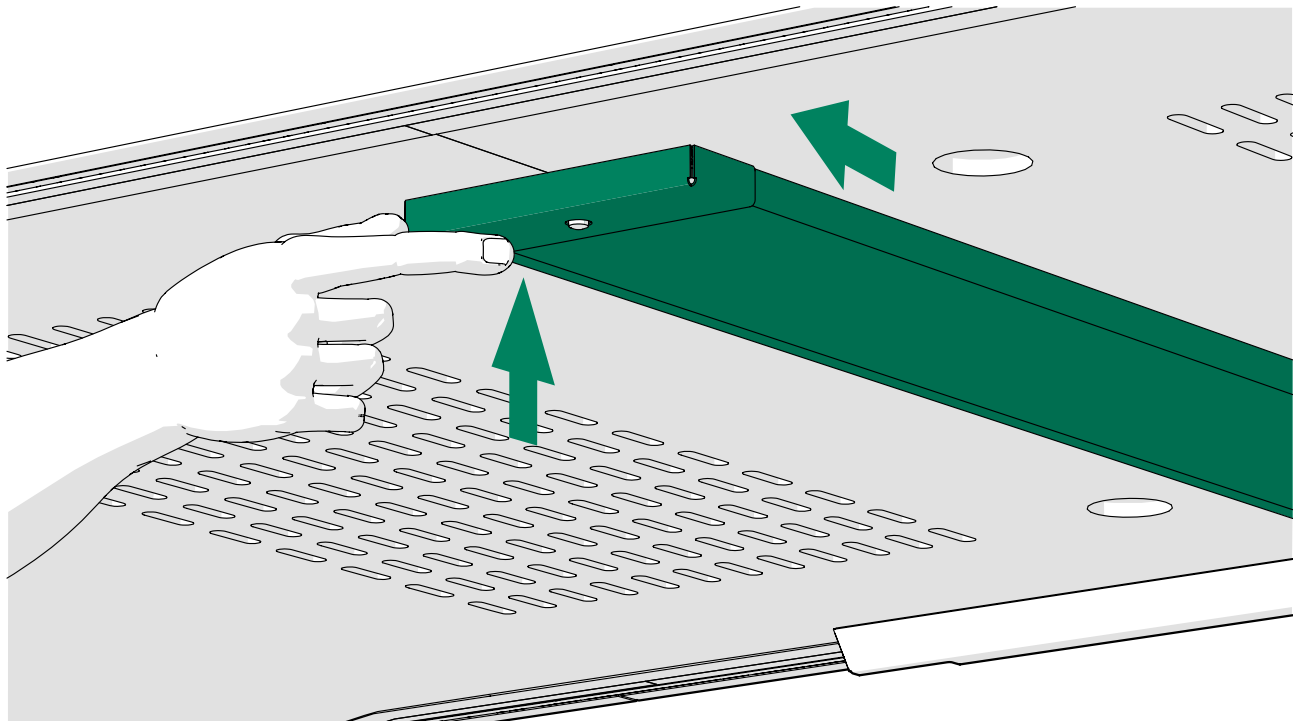


**Note:** See the installation of the DC extension cord in **Install the power cord from the floor** or **Install the power cord from the roof** in the Installation instructions and use it as a reference for installing the fire alarm wiring.

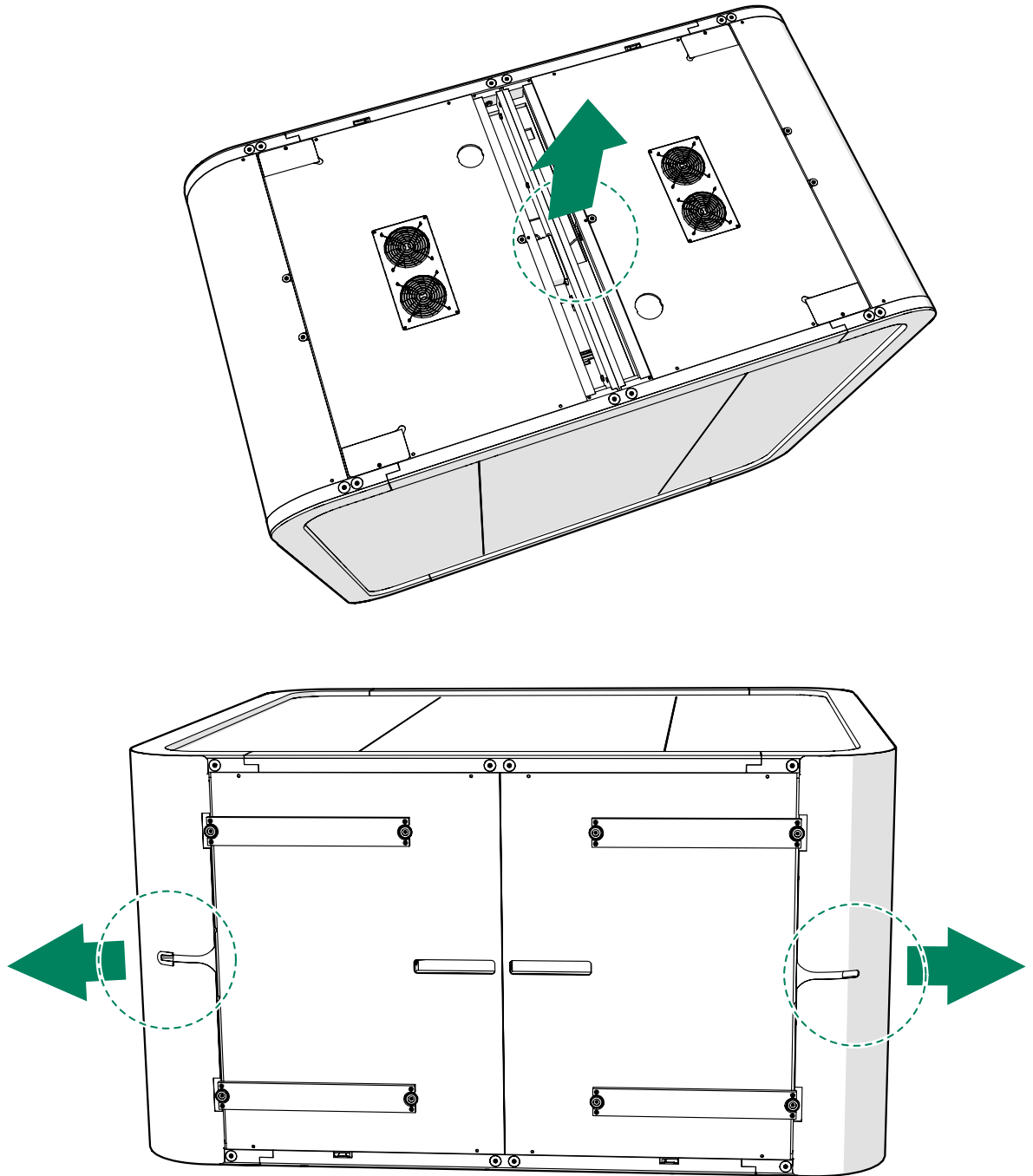


7. Reinstall the motion detector and the light (motion detector first).

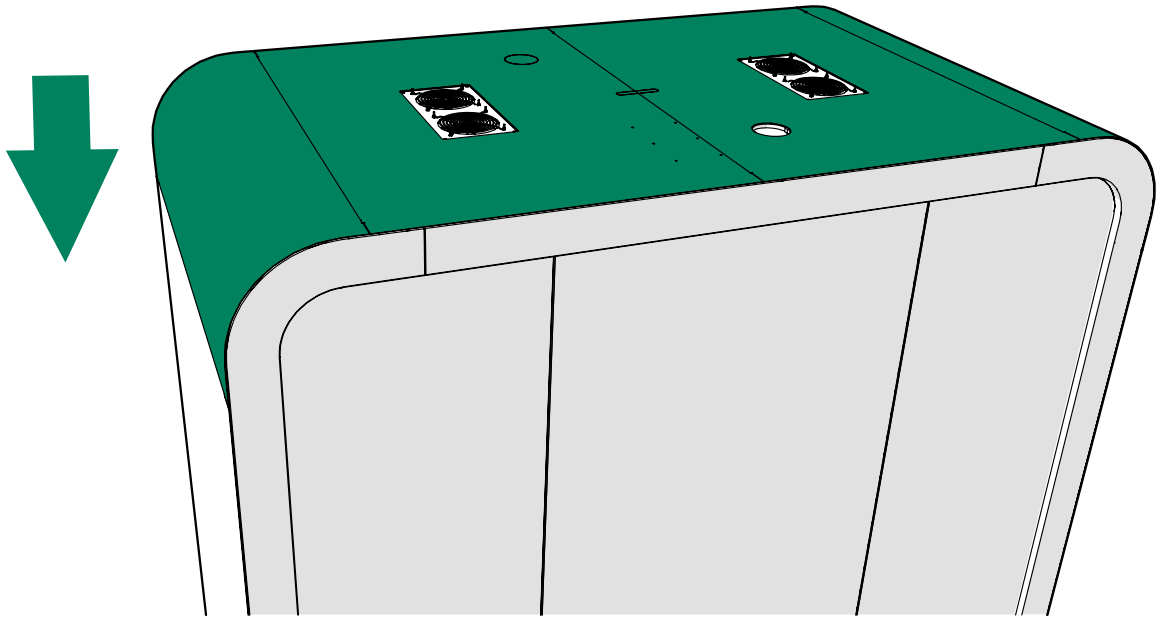
For more information, see Installation instructions.



8. Guide the electrical wiring for the fire alarm out of the roof or out of the floor module through the electrical pipe in the roof and wall.



9. Reinstall the roof body covers.  
For more information, see Installation instructions.



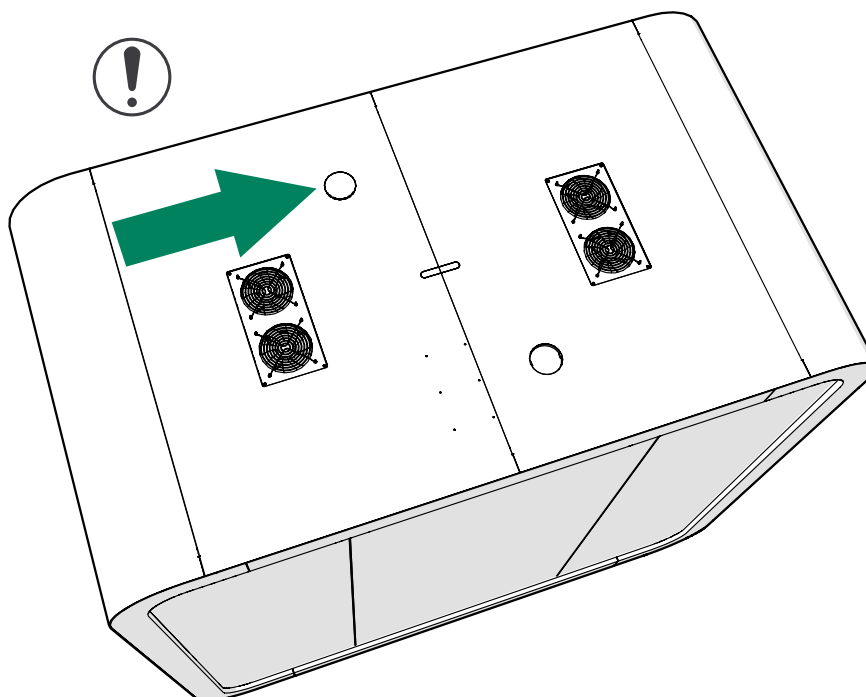
## 2 Install the fire suppression system

⚠ **Note:** To install the piping, see the sprinkler manufacturer's instructions.

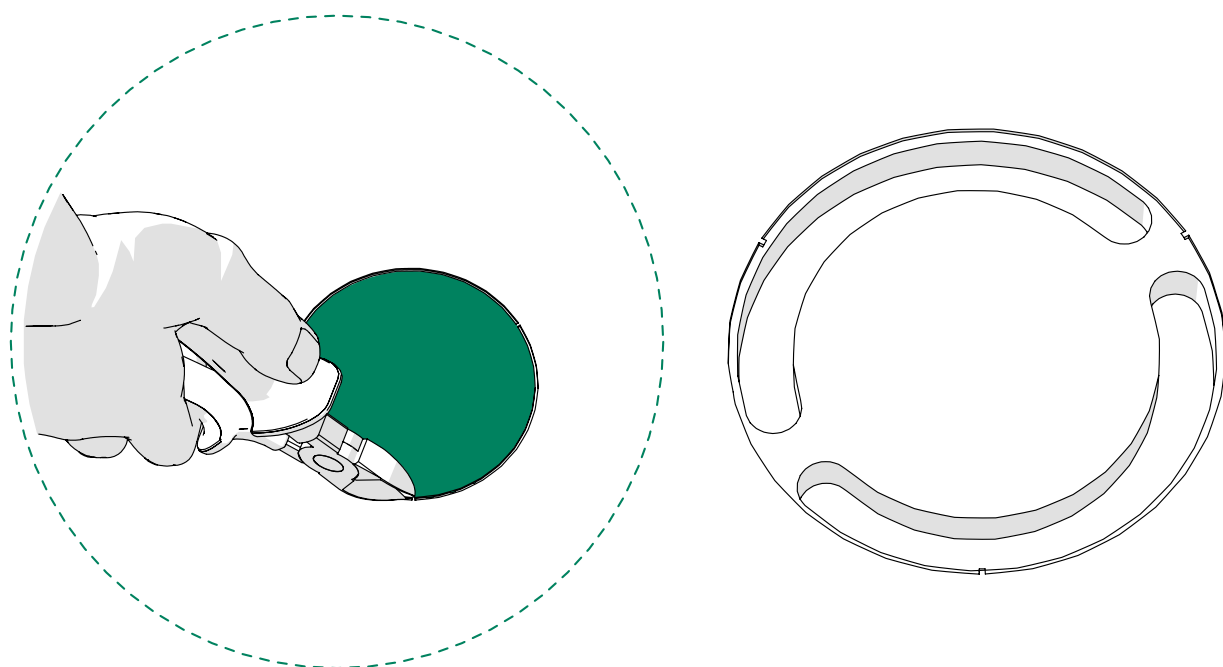
### 2.1 Prepare the installation

Install the sprinkler at the back of the pod.

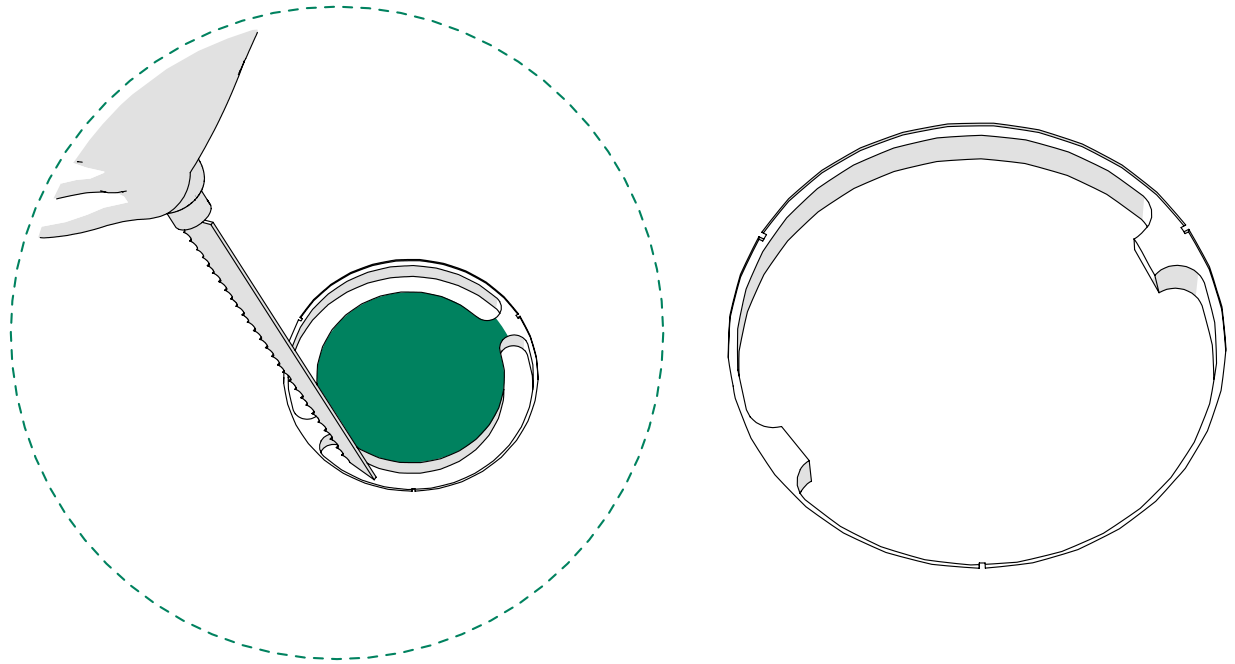
⚠ **Note:** Use the hole at the back of the pod for the sprinkler head.



1. Cut away the flap on the roof body cover. Use side cutters.



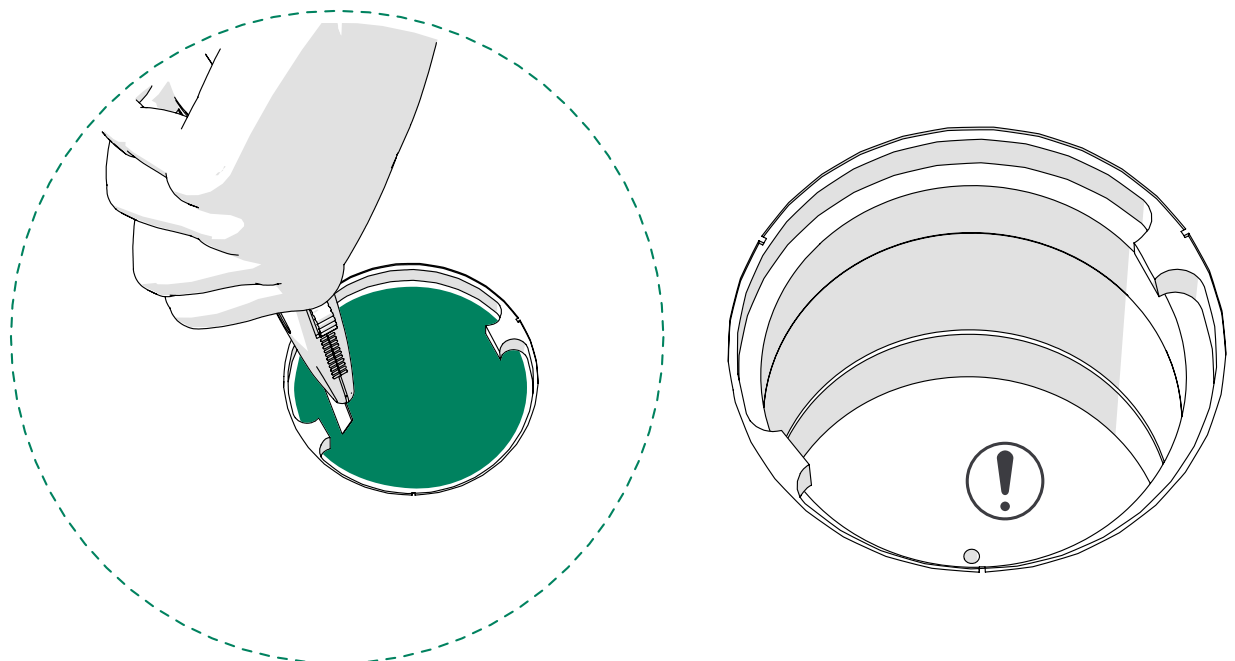
2. Cut away the flap on the plywood plate. Use a key saw or a 83 mm (3 ¼ in) hole saw.



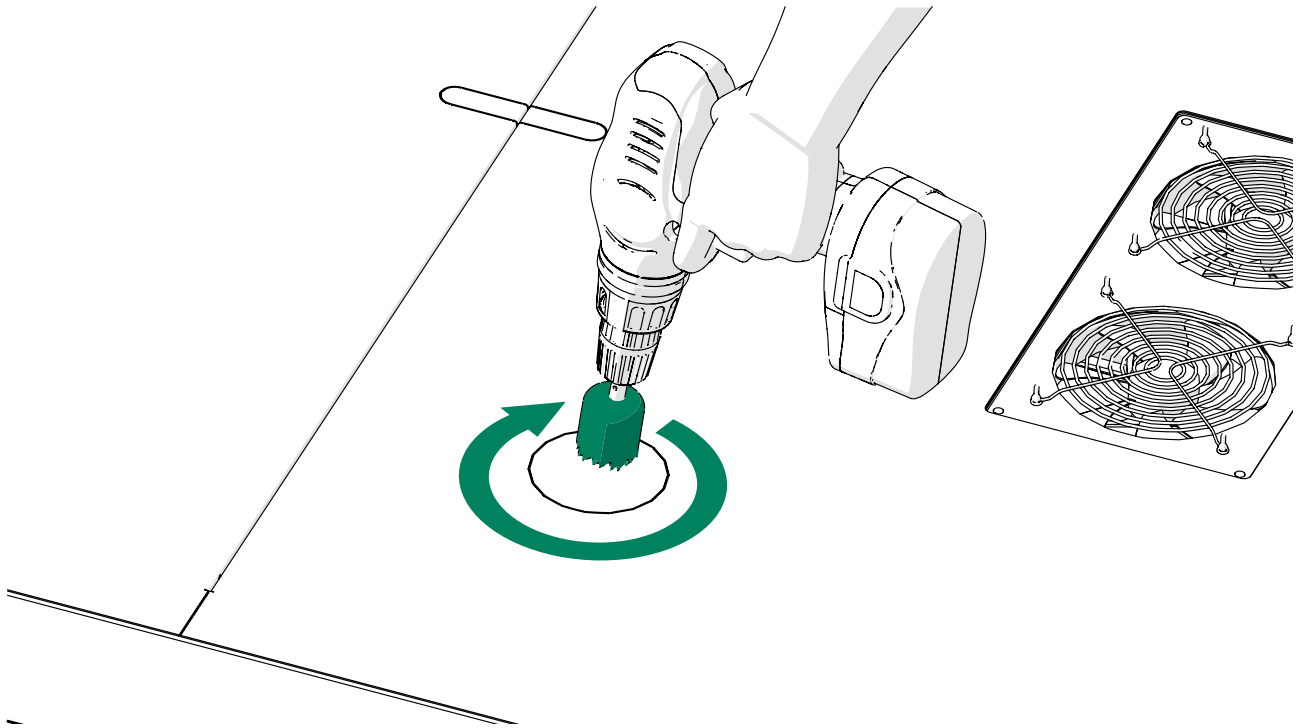
3. Cut the three layers of acoustic material for leading a pipe through them. Use a utility knife or a 70-80 mm (3 1/3 in) hole saw.

⚠ **Note:** Leave the ceiling felt intact.

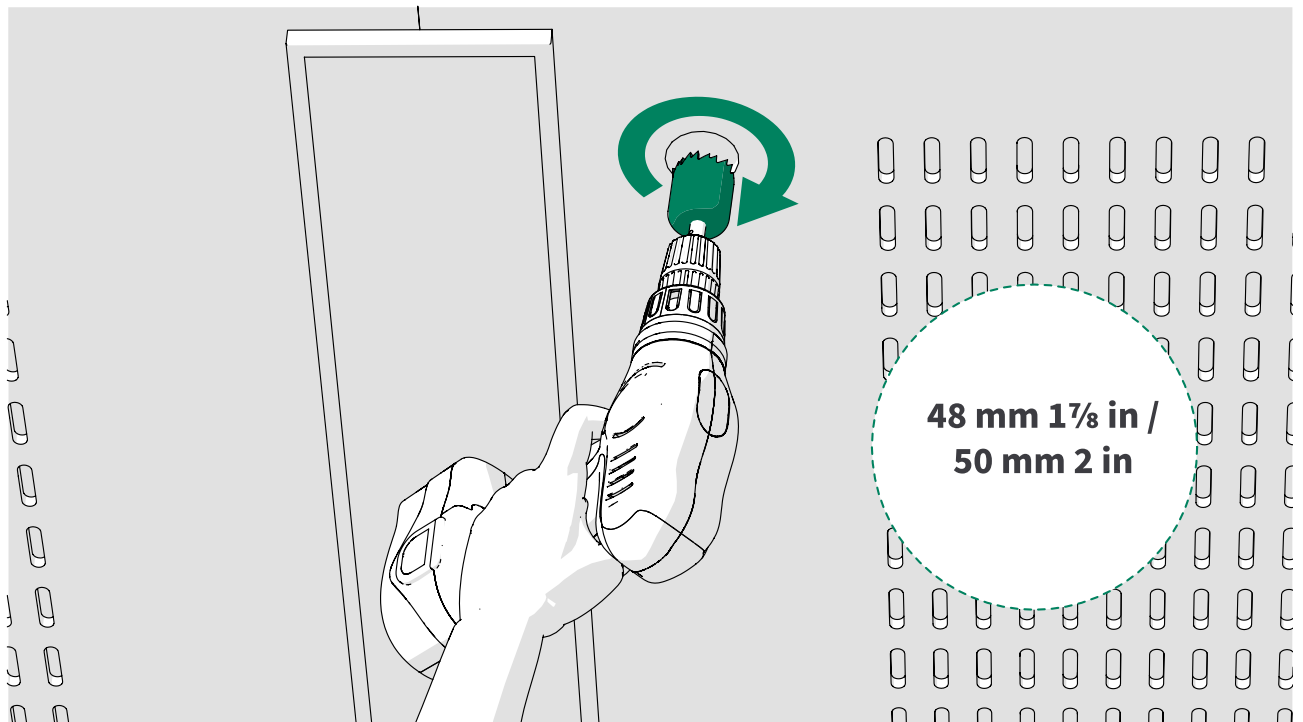
⚠ **Note:** Use snippers to remove the inner sheet metal from between the acoustic panels.



4. Drill a pilot hole through the ceiling felt from above.



5. Cut out the partially precut circle in the ceiling felt for the sprinkler head from the inside of the pod. Use a 48 mm (1 7/8 in) or 50 mm (2 in) hole saw. You can also use a utility knife.

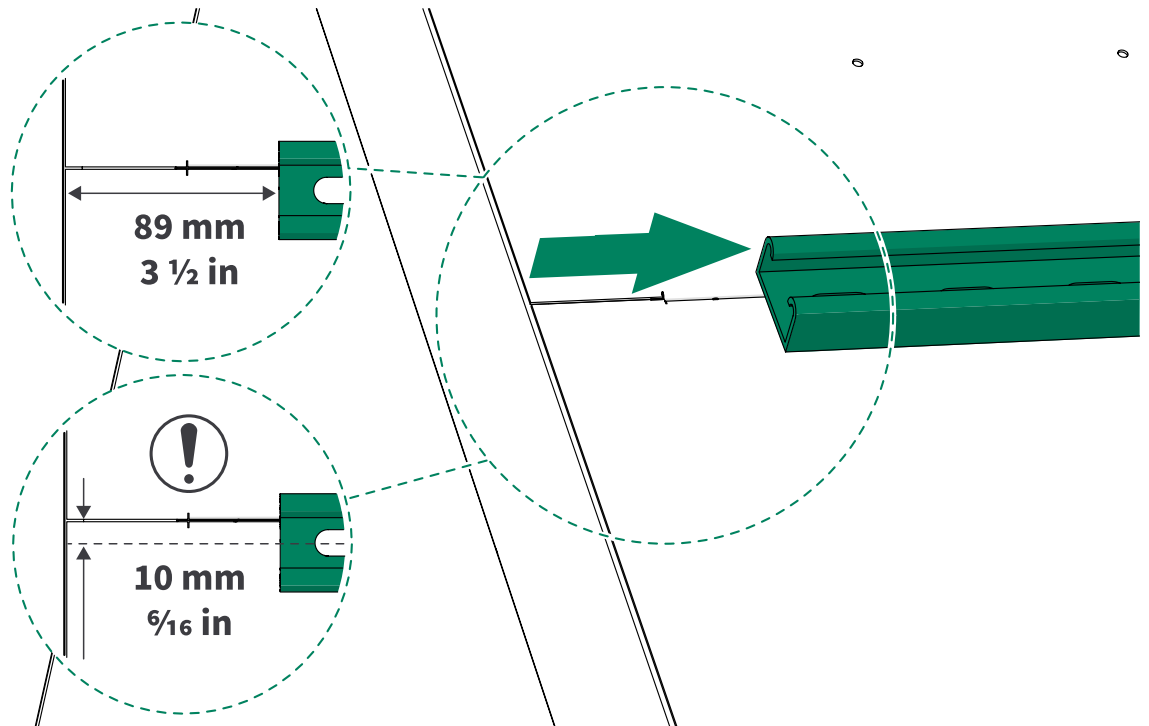


## 2.2 Install the mounting rails

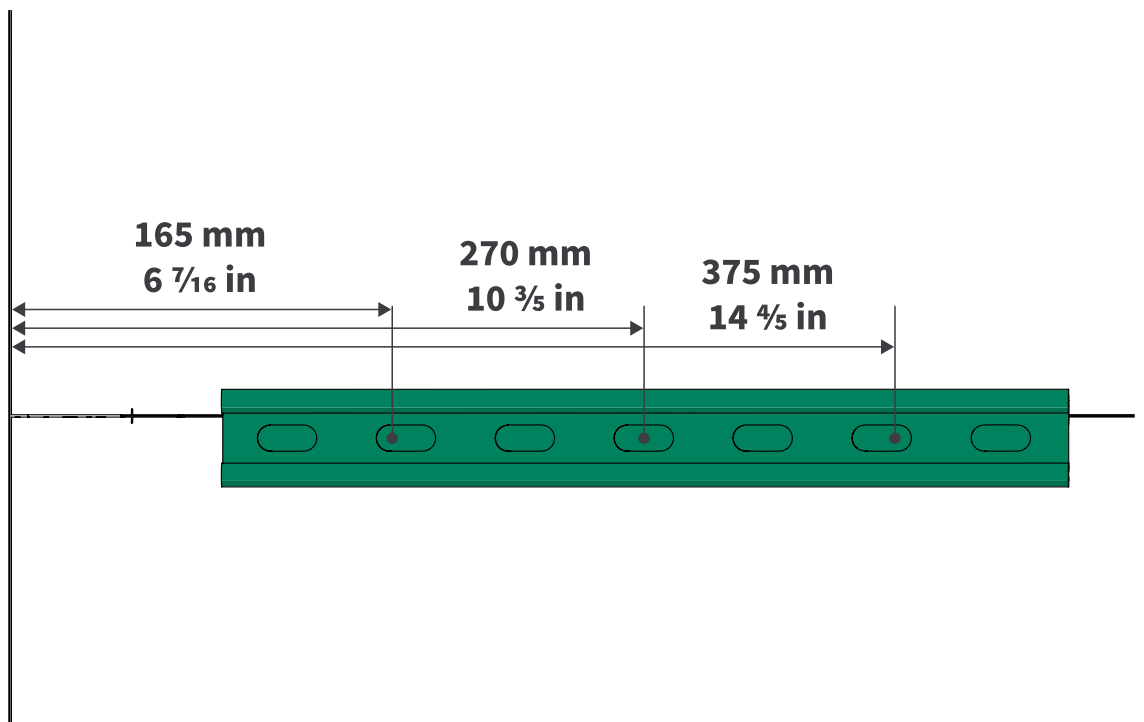
1. Measure the end of the first mounting rail 89 mm (3 ½ in) from the back edge of the roof.



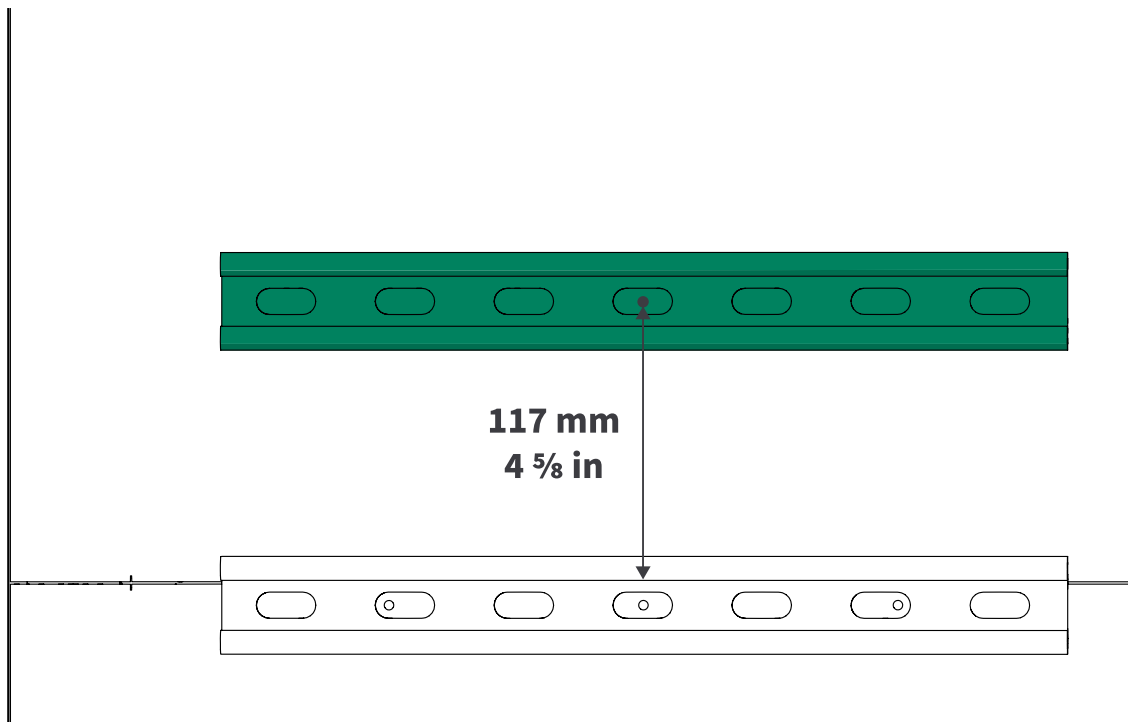
**Note:** Place the mounting rail at 10 mm (6/16 in) from the center of the roof. Use the body cover center line as the midpoint reference.



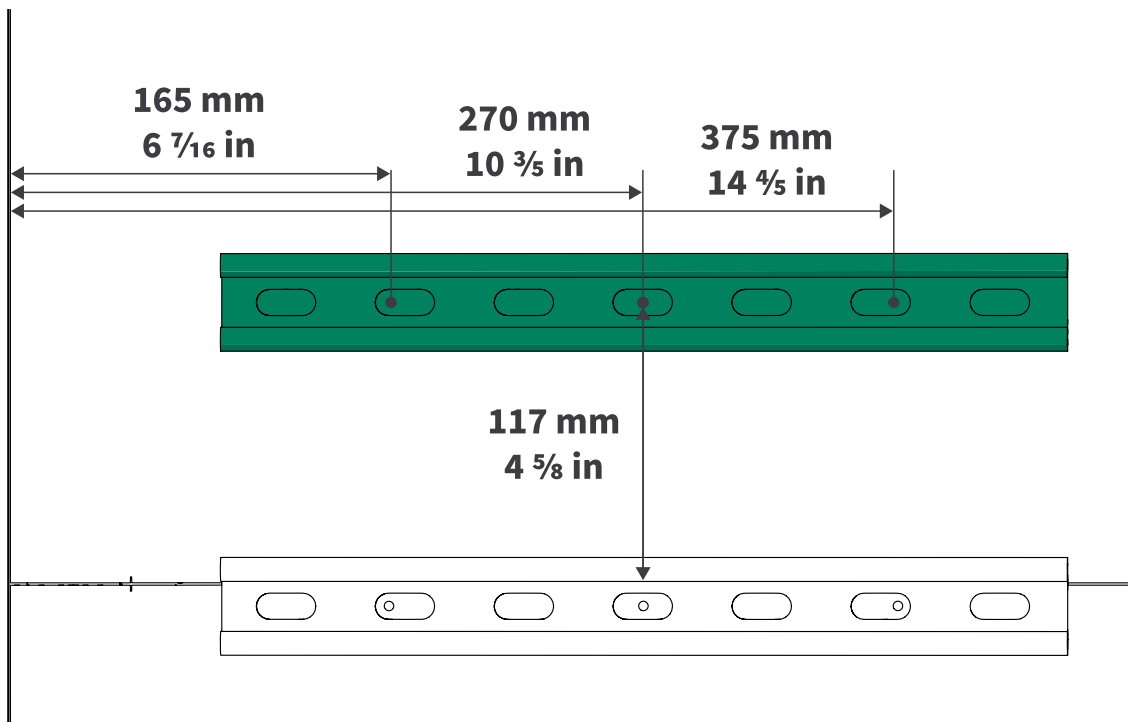
2. Mark three places for screw holes on the roof body cover.  
Mark the first screw at 165 mm (6 7/16 in), the second at 270 mm (10 3/5 in), and the third at 375 mm (14 4/5 in).



3. Measure the center of the second mounting rail 117 mm (4 5/8 in) from the body cover center line.



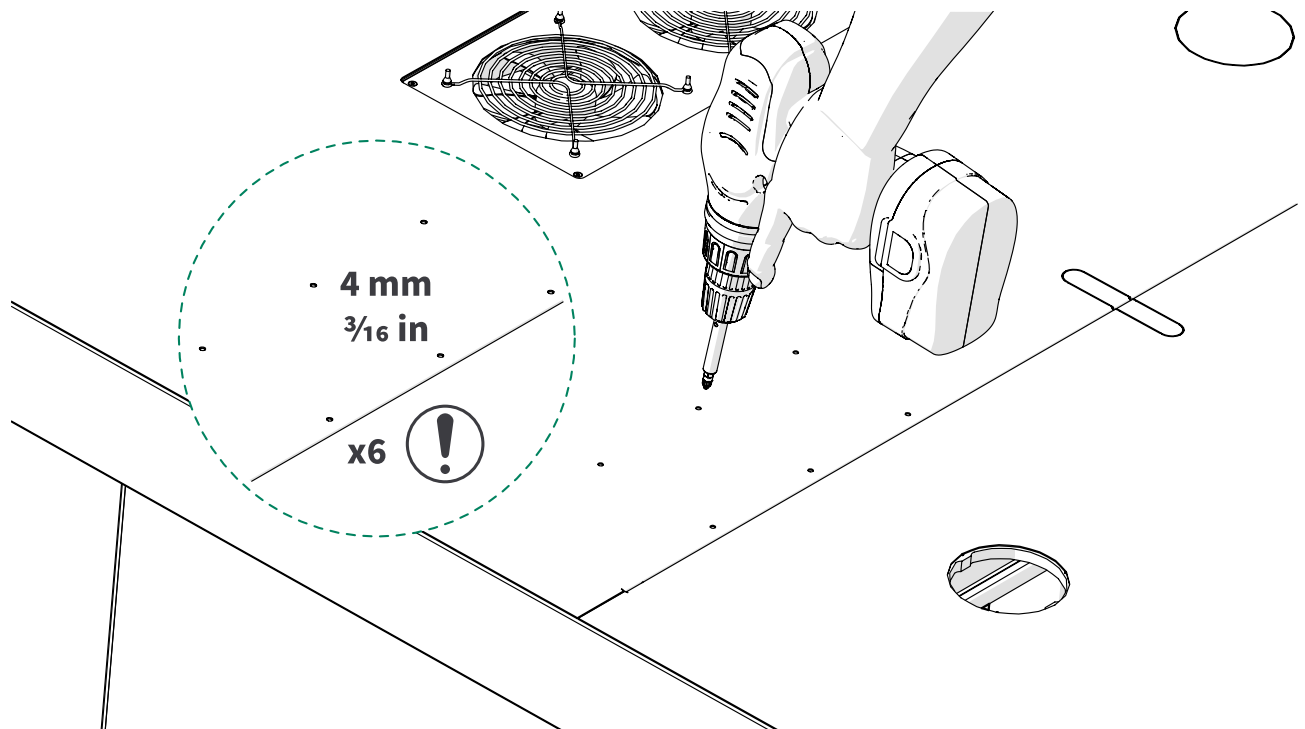
4. Mark three places for screw holes on the roof body cover.  
Mark the first screw at 165 mm (6 7/16 in), the second at 270 mm (10 3/5 in), and the third at 375 mm (14 4/5 in).



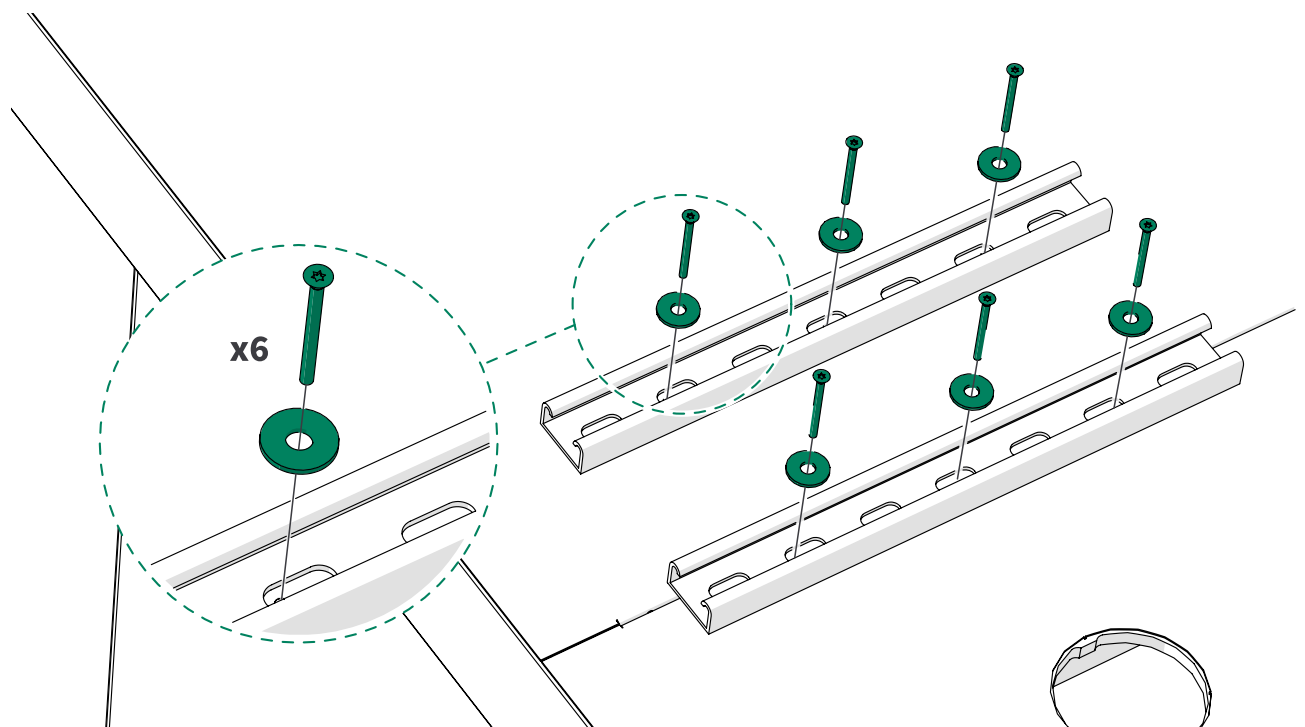


5. Drill 4 mm (3/16 in) pilot holes (6 pcs) through the roof body cover and the wood underneath.

⚠ **Note:** Make sure that you do not drill too deep.



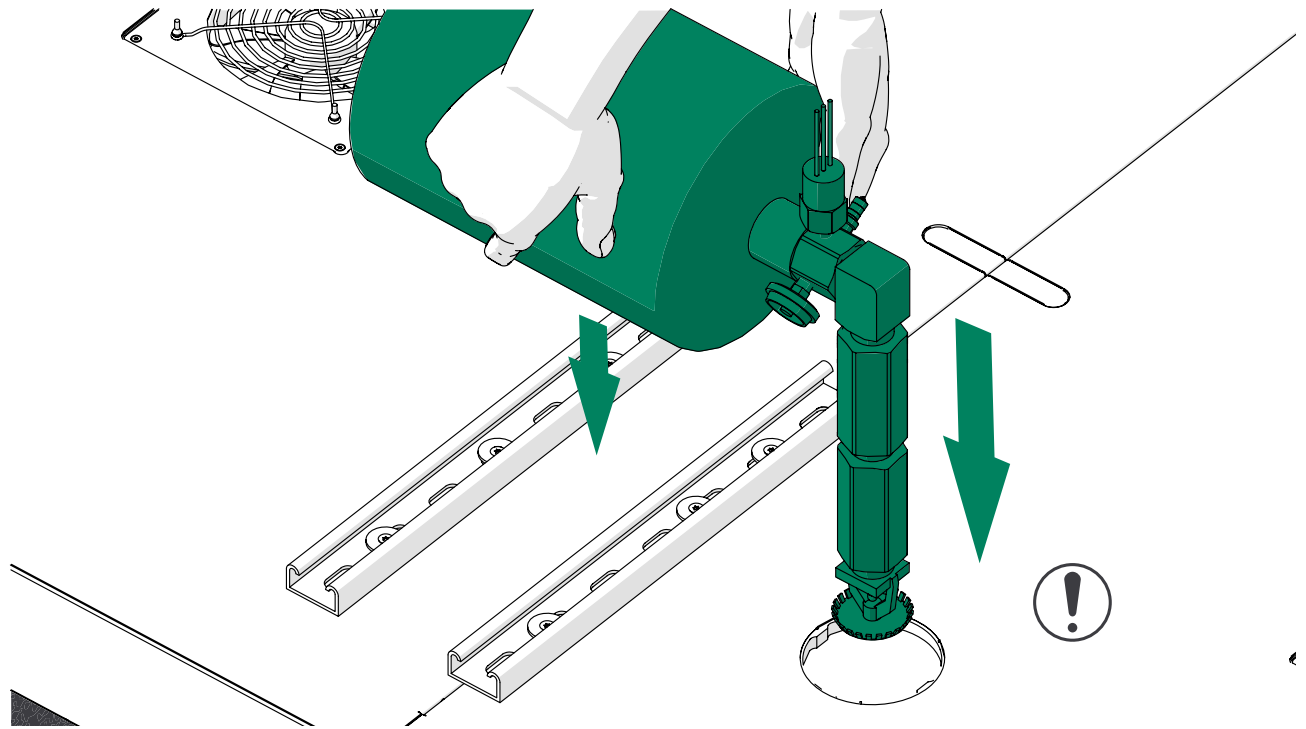
6. Install the mounting rails with 5x50 screws (3 pcs each) and washers (3 pcs each) onto the roof of the pod.



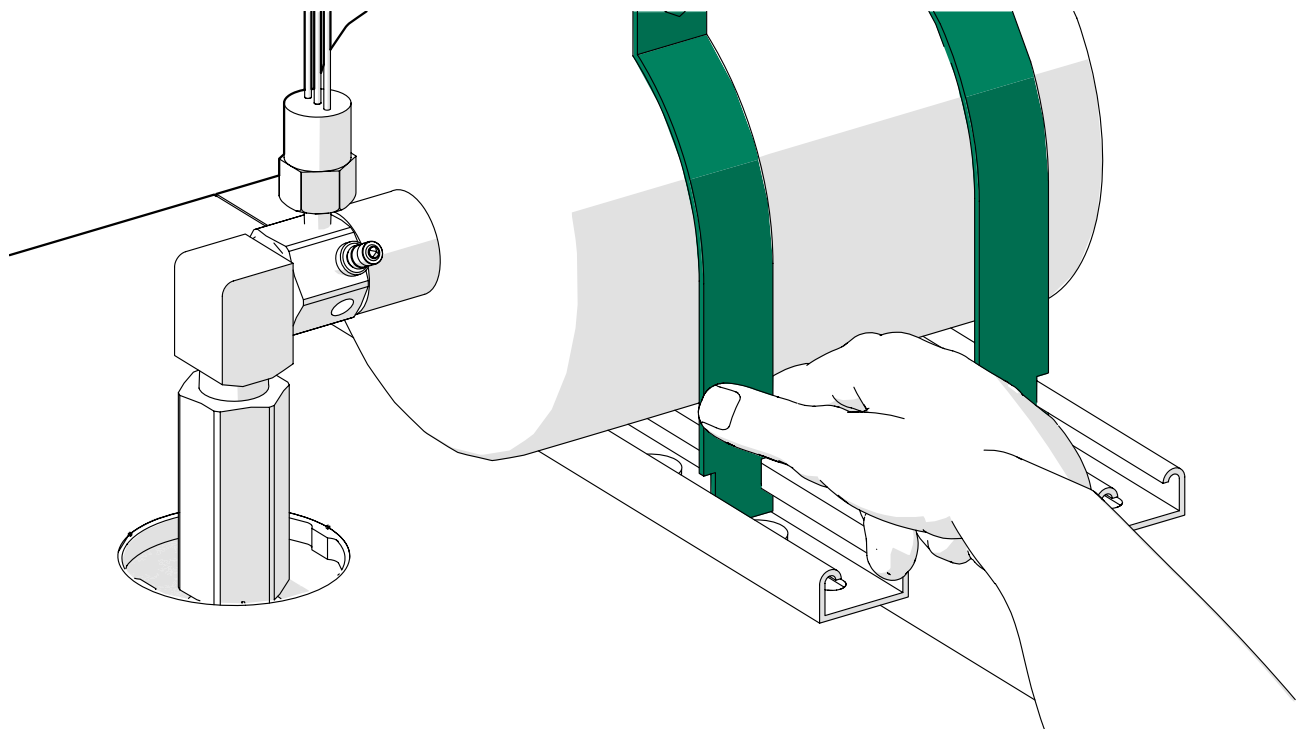
### 2.3 Install the cylinder and sprinkler

⚠ **Note:** Make sure that the piping or the sprinkler head is not damaged during the installation.

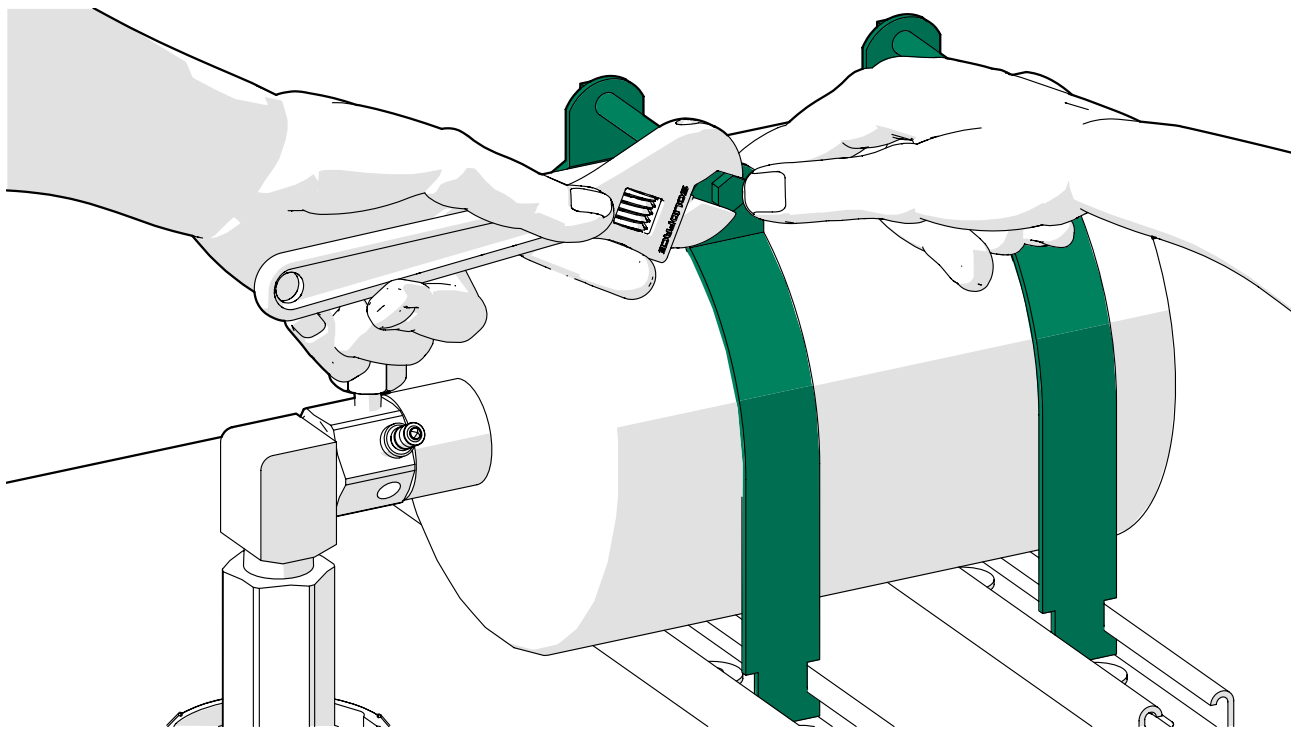
1. Guide the piping into the hole in the roof and place the cylinder onto the mounting rails. Place the cylinder in the center of the mounting rails.



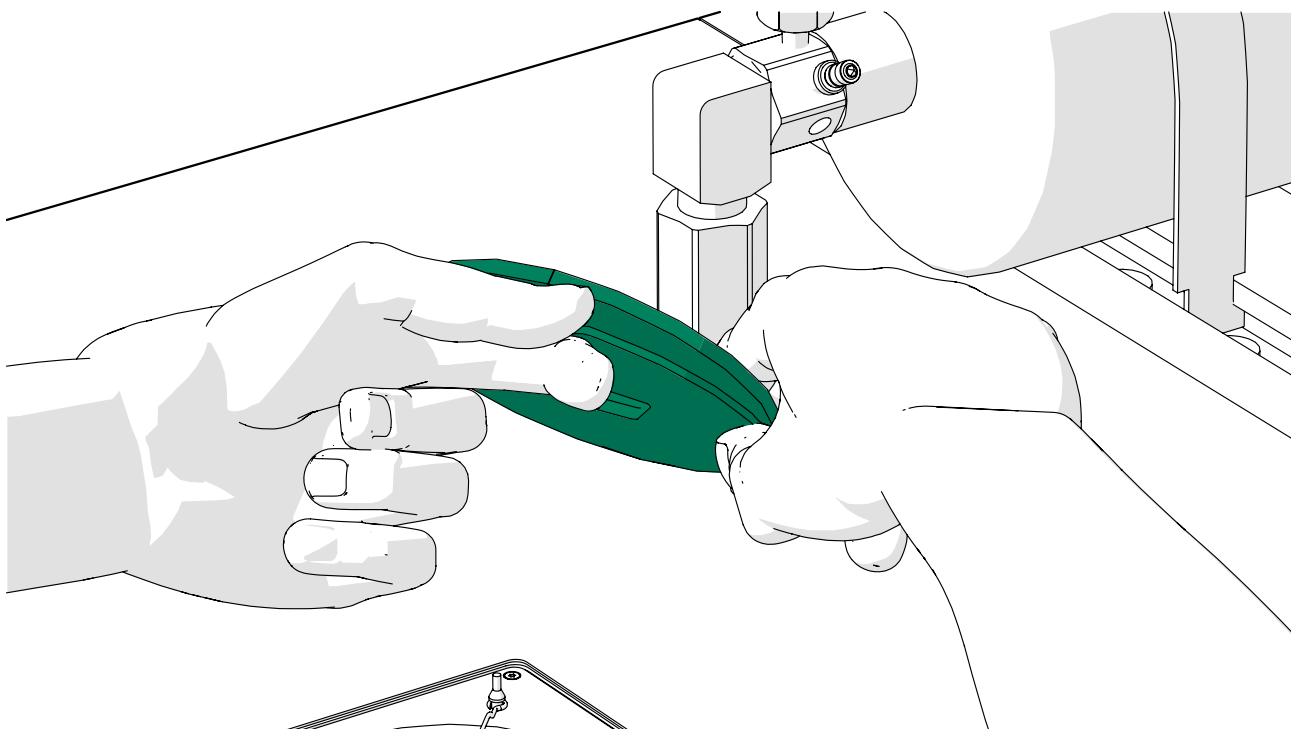
2. Slide the bands into the mounting rails from both sides.



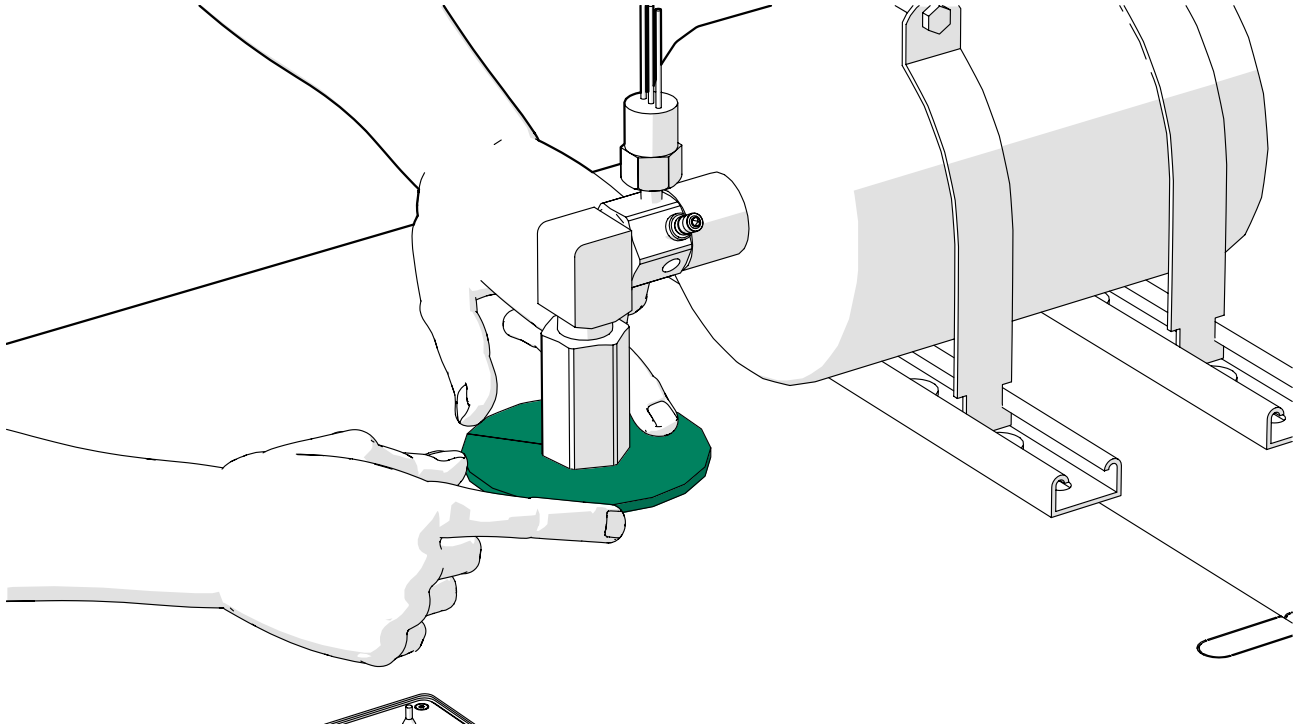
3. Tighten the bands around the cylinder.



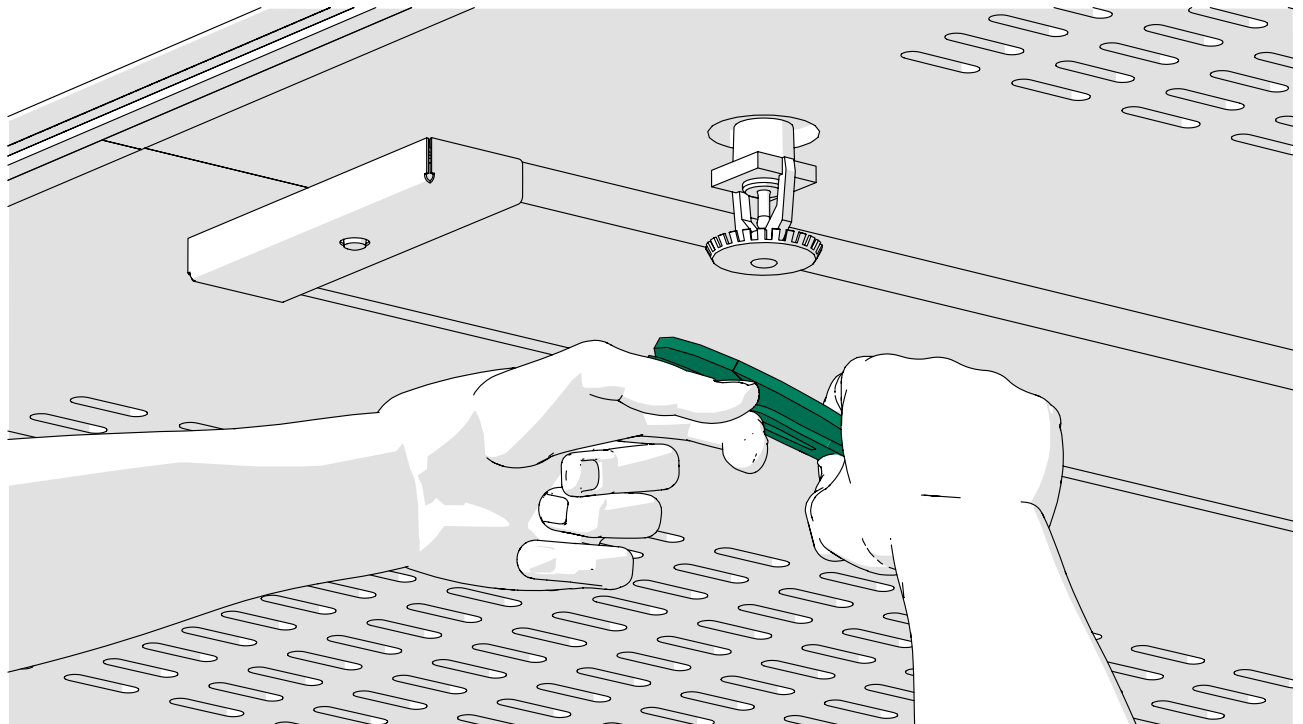
4. Remove the protective paper from the sticker on the first rubber seal.



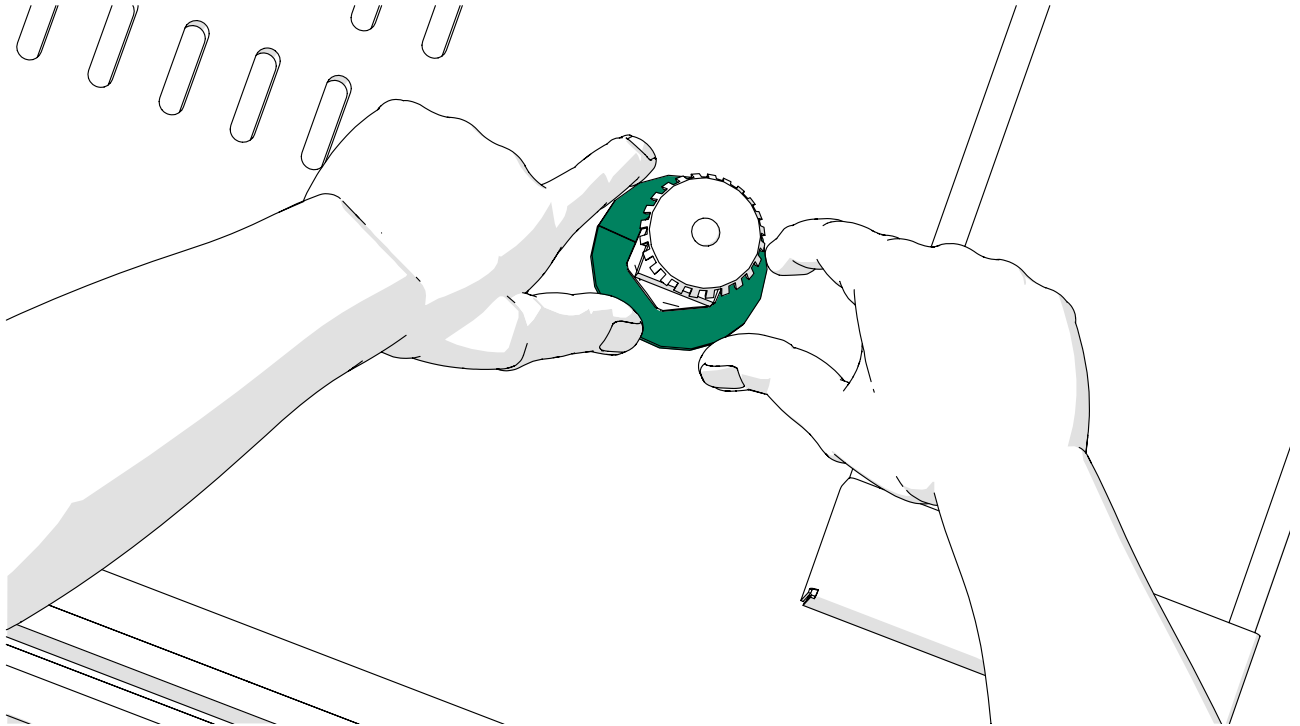
5. Guide the rubber seal around the piping and attach the seal onto the roof body cover around the hole.



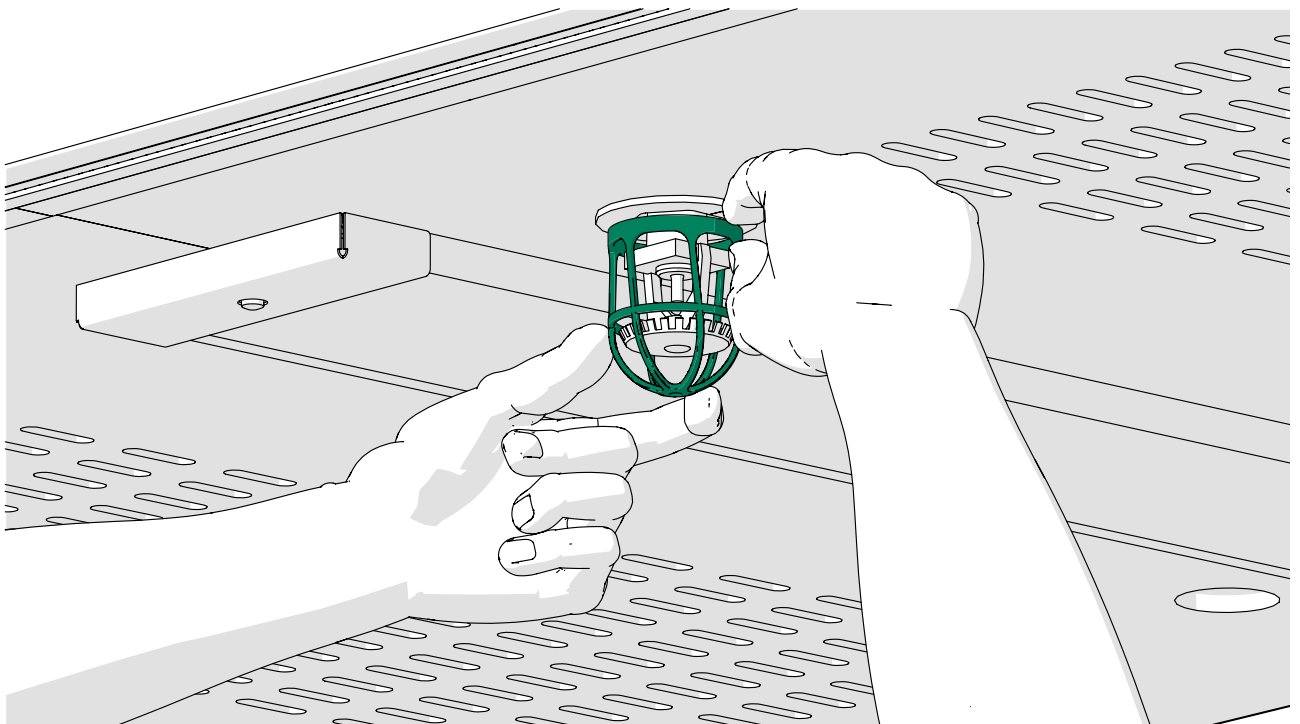
6. Remove the protective paper from the sticker on the second rubber seal.



7. Guide the rubber seal around the sprinkler head and attach the seal onto the ceiling felt around the hole.



8. Install the sprinkler guard over the sprinkler.







**framery**

Framery Q

Fire safety

Patamäenkatu 7

33900 Tampere

FINLAND

VAT: FI 23527139