

Framery One™



The smart and soundproof office pod
shaping the workplace of tomorrow

framery



Framery One is a smart, spacious, one-person workstation designed for video calls and focus work. Contemporary design and advanced technology characterize every detail of this comfortable and versatile workspace. This soundproof office pod features world-class sound insulation, industry-leading ventilation, and echo-free acoustics so you can focus on your work and connect online with people anywhere.

Framery One / Product highlights



Workdays that flow with ease

Framery One has been purposefully designed to make your workdays flow easier. Automatically reserve a vacant pod by stepping inside, or book it in advance from the Framery app. Extend your reservation directly from the pod's touchscreen, or adjust your booking through the app.



Privacy you can trust

A-Class soundproofing assures that Framery pods can be placed next to workstations without causing noise distractions to the person in the pod or to the people outside. And echo-free interior acoustics make Framery One a private, comfortable place for work and video calls.



Airflow that keeps you fresh

Stay fresh and focused with efficient airflow. Enhanced ventilation fully refreshes the air every minute. The ventilation can be easily adjusted to the user's preferences through the pod's touchscreen display with a single touch.



Lighting that makes you feel good

Automated dual-lighting sources adapt to your needs, with preset lighting options to choose between work or video modes. Video-optimized lighting helps you shine on video calls. Adjustments can be made quickly and easily through the touchscreen display.

Framery One / Tech features



1. A-CLASS SOUNDPROOFING

Guaranteed privacy with an industry leading Class A speech level reduction of 30dB and one of the industry's top ISO 23351-1 ratings for office phone booths.

2. ADJUSTABLE VENTILATION

Proprietary design enables unparalleled ventilation with maximum airflow of 29 l/s – surpassing industry standards around the world.

3. OPTIMIZED LIGHTING

Dual adjustable 4000K LED light sources allow you to seamlessly switch between video or work modes – or make manual adjustments for personalized illumination.

4. AUTOMATED WALK-IN RESERVATIONS

Step inside the pod to create an automatic walk-in reservation – or easily find and book Framery One through the Framery app. Adjust your booking from the mobile application, or directly from inside the pod.

5. BUILT-IN 4G CONNECTION

Framery smart pods come with built-in 4G connection enabling over the air software updates and keeping your pods connected to your calendar.

6. INTUITIVE UI

A high-resolution touchscreen makes it easy to control pod settings, adjust lighting and airflow, and manage calendar reservations.

7. AUTOMATIC UPDATES

A built-in 4G connection enables automatic over-the-air software updates – initiated instantly and silently in the background.

8. OCCUPANCY INDICATION

The side-mounted occupancy lights show at a glance whether the pod is free or already in use. The pod's usage data is gathered and visualized in Framery Connect™ to help ensure you have the right number pods, and that they are placed correctly in your office.

9. FRAMERY CONNECT™

Gain insights from occupancy data, initiate advanced bookability functionalities, and connect your Framery One to the entire office to get valuable usage data needed to improve the layout and efficiency of your workplace.

10. BOOKABLE PODS

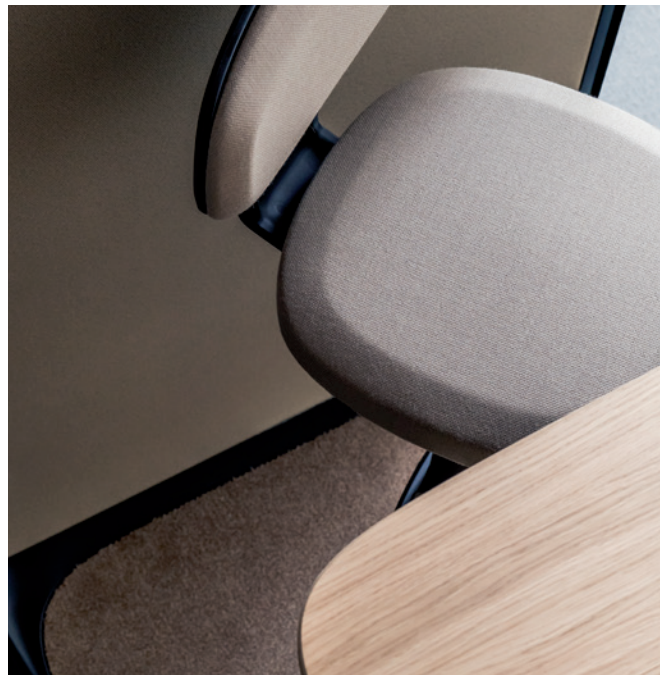
Make your smart pod bookable like any meeting room. The pod's touchscreen will show reservations and you can manage them on the spot.

Framery One / Design details

Contemporary design and advanced technology characterize every detail of this comfortable and stylish soundproof work pod with premium design. Select from a harmonious color palette and enjoy a workspace where elegant form meets limitless capacity. Framery One is built sustainably and engineered to last.



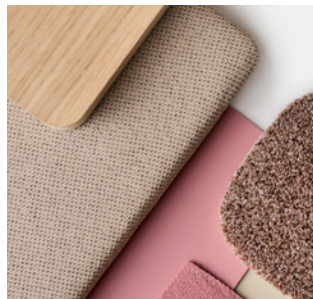
Framery One's powder-coated exterior panels are made from deepdrawn steel. Matt black structures made from aluminum and steel create the framing, and sound-control laminated glass finish the structural support. Replaceable interior paneling is made from PET sound-absorbing material. Anti-static, stain resistant low-loop pile carpeting covers the flooring.



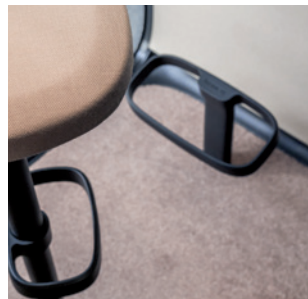
Framery One's 1.22 m² (13.1 ft²) footprint takes minimal office space, maximizing the pod's spatial efficiency. The optional casters allows you to easily relocate your pod quickly, and without disassembly.



The exterior occupancy lights show at a glance whether the pod is available or already taken.



Customize your pod to fit your workplace with over 3000 combinations of colors, fabrics, and high-quality materials to choose from.



The electric work desk and adjustable seat let you work in comfort, with dual-footrests to prioritize ergonomic working positions.



Convenient outlets and a coat hook are provided to accommodate all your office accessories.

Framery One / Colors and finishes




EXTERIORS

| | |
|---|---|
|  | White (Standard) RAL 9016 Ultramatt |
|  | Black (Standard) RAL 9005 Ultramatt |
|  | Gray (Standard) S 7500 - N Ultramatt |
|  | Navy S 7020 - R90B Ultramatt |
|  | Sand S 2010 - Y20R Ultramatt |
|  | Powder Blue 3421-R86B Ultramatt |
|  | Winter Moss S 7010-G10Y Ultramatt |
|  | Blush 2728-R01B Ultramatt |

CARPETS

| | |
|---|---|
|  | Light Gray (Standard) Fletco carpets |
|  | Dark Blue Fletco carpets |
|  | Champagne Fletco carpets |
|  | Grape Fletco carpets |





TABLE TOPS

| | |
|---|--|
|  | White (Standard) White laminate |
|  | Black Black Laminate with anti-fingerprint surface |
|  | Oak Veneer |

SEATING FABRICS

| | |
|---|--|
|  | Graphite (Standard) Select #60051 Gabriel |
|  | Dark Blue Select #66144 Gabriel |
|  | Grape Select #61190 Gabriel |
|  | Rose Select #65117 Gabriel |
|  | Powder Blue Select #67098 Gabriel |
|  | Beige Select #61184 Gabriel |
|  | Green Select #68209 Gabriel |
|  | Mustard Select #62098 Gabriel |

INTERIORS

| | |
|---|--|
|  | Pure Gray (Standard) Tonal #60123 Gabriel |
|  | Arctic Blue Tonal #66185 Gabriel |
|  | Sand Tonal #61180 Gabriel |
|  | Rouge Tonal #64210 Gabriel |

Design your own
on our website



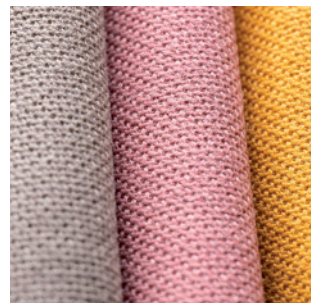
MATERIALS AND FINISHES



EXTERIOR PANELS made from steel feature a powder-coated matt finish. The lightweight panels are joined together seamlessly, with elegant curves that create a timeless design.



INTERIOR PANELS made from high-quality and recycled polyester have a vibrant and dynamic look thanks to the mix of the two-colored fabric.



SEATING MATERIALS are a blend of superior New Zealand wool and polyamid that form a soft and rich texture. The extremely durable fabrics are both dirt and water repellent.

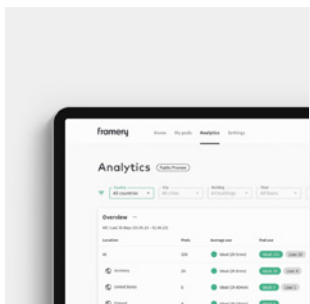


CARPET FLOORING is anti-static, stain resistant, and durable, giving the pod an overall soft look and finish.

Framery smart office solutions / Set your office up for success

Framery's smart office solutions help create a productive and flexible office with simple yet powerful workplace management technology while enhancing the employee experience with seamless, intuitive room booking solutions. Gather insights from the entire workplace and make data-driven office development decisions. Streamline the workday flow with smart booking solutions, allowing users to book any spaces—on the spot or on the go.

WORKPLACE MANAGEMENT
Lead with data from your whole office



Framery Connect™

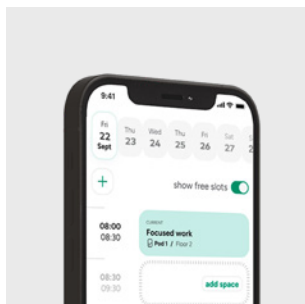
A smart platform for workplace management.



Framery Connect Sensor™

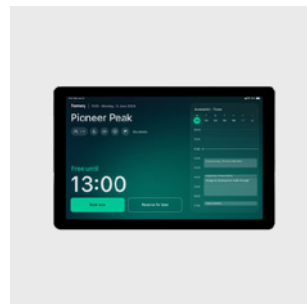
Usage data from any space.

ROOM BOOKING SOLUTIONS
Enhance employee experience



Framery App™

Find and book spaces in seconds.



Framery Room Display™

Book any room with ease.

Unparalleled support

Get instant support from a Framery specialist for any issues that may arise with your smart pods or other products.

Automatic updates

Instantly receive software updates through your smart pod's 4G connection to enable developments and services into the future.

Privacy assured

No identifiable user data is collected – only workspace occupancy information is tracked.

FRAMERY PLUS – EVERYTHING YOU NEED FOR A SUCCESSFUL WORKPLACE

Unlock all the tools and features your workplace needs to thrive with our subscription based Framery Plus™ – new smart pod customers receive a complimentary 1-year subscription.



Read more

Framery smart pods / Environmental data sheet

Framery's new smart pods set the standard in sustainability – with durability that is measured in decades, light-weight product structures, use of truly recyclable materials, and modularity that allows the life cycle of the products to be extended indefinitely. Framery participates in the Science Based Targets initiative, and has set emission reduction targets aligned with the goal of limiting global warming to 1.5°C compared to pre-industrial levels.



Optimal material use

Framery has achieved a 23% material reduction with its new line of products – which equals over 1 million kg of raw material annually – while increasing their level of performance compared to previous models. The carbon footprint in the manufacturing stage of the new products is 16% smaller on average. A change from plywood to steel as the main construction material also allows Framery to continue reducing its environmental impact and strive towards a 50% reduction in product CO2 emissions by 2028.



Production and waste management

All our pods are manufactured in Tampere, Finland using zero-emission electricity. Our factory logistics are operated on biogas and renewable diesel. The material efficiency rate of our production was 94.9% in 2022. Virtually no waste goes to landfill.



Environmental impact

We have conducted life cycle assessment studies for our products to measure their environmental

impacts. Alongside their carbon footprint, we also study other impacts such as resource depletion and water scarcity. The results are verified by an independent third party, and then published and registered as an EPD to provide stakeholders with reliable information on our products' environmental performance in a transparent way.



Product performance

The modular design of our pods facilitates a long product lifetime, and our customers typically use them for many years. The same pod can be used by one customer after another, enabling multiple life cycles and saving valuable resources. Thanks to their modular design, our pods are easy to disassemble, refurbish if needed, and reassemble at a new location. Our products are GREENGUARD Gold certified, and highly maintainable with easily available spare parts.



Transportation

Logistical hubs in Singapore and the USA reduces air freight, and allows us

to load our shipping containers more tightly. The products are made-to-order, and their modularity helps us achieve this with minimal impact.



Materials

To increase circularity, the pods contain mono-materials rather than composites for 100% recyclability. They also contain more recycled materials, including 20% recycled steel and aluminum, 29% recycled glass, and fabric featuring 80% recycled plastic. Framery will also be among the select few companies in the world pioneering the use of SSAB fossil-free steel in our products, starting as soon as the material becomes available in 2026.



Certificates and studies available

- Life Cycle Assessment (LCA)
- Environmental Product Declarations (EPD)
- Health Product Declarations (HPD) & Declare labels
- UL GREENGUARD Gold
- Contribution to Green Building Certifications such as LEED, BREEAM, SKA and WELL

100% END OF LIFE
RECYCLABILITY
*Framery One 95%



80 %
RECYCLED PET



20 %
RECYCLED STEEL



29%
RECYCLED GLASS



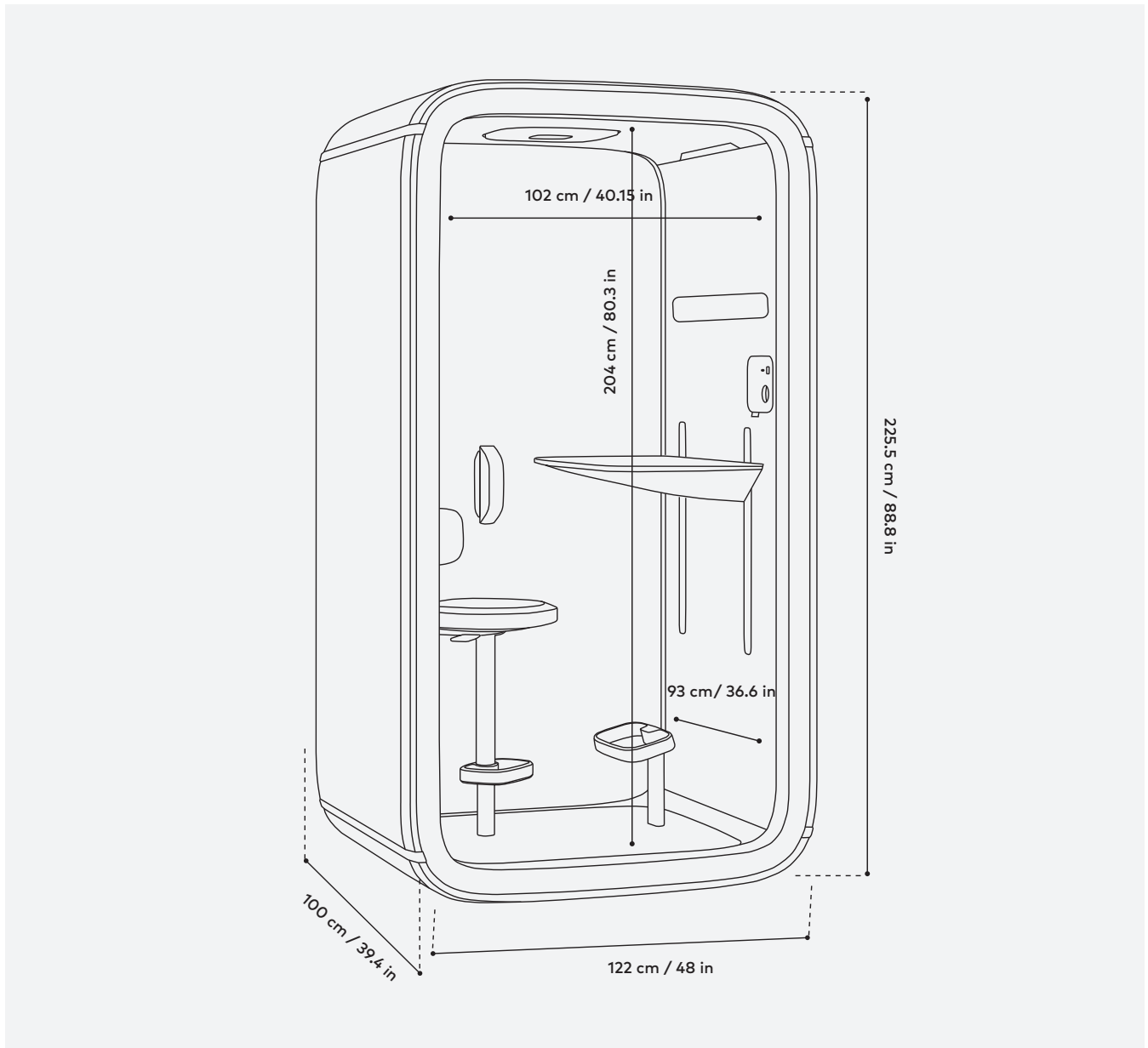
CERTIFIED
TEXTILES



CERTIFIED
WOOD

Framery One™

Technical specifications



Performance

Speech level reduction: 30dB
Max airflow: 26 l/s
Low energy consumption: 28W

Sustainable design

Built to last for decades
Light-weight product structures
Refurbishable & movable

Connectivity

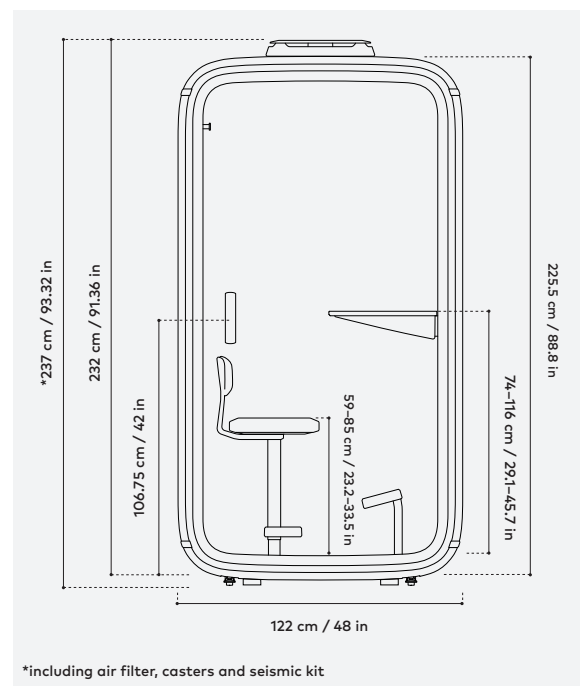
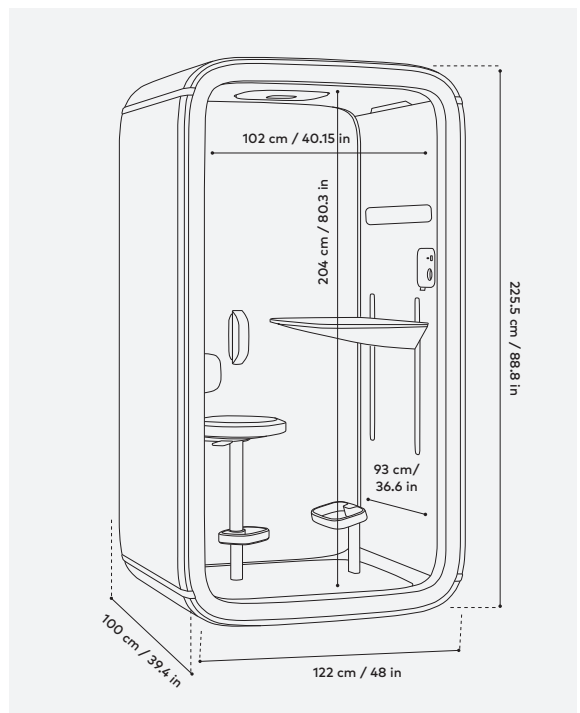
Built-in 4G connection
Automatic software updates
Framery Connect digital services

Framery One / Technical specifications

OVERVIEW

| | |
|--------------------|---|
| Soundproofing | CLASS A 30 DS,A (dB) reduction Speech level reduction DS,A (dB) is measured using ISO 23351-1. Pod can be placed next to workspaces without compromising privacy. |
| Ventilation | DEFAULT AIRFLOW 26 l/s, 55 CFM (94 m³/h). Airflow can be adjusted manually. After use, the pod refreshes itself with a higher ventilation speed. STANDBY MODE 7 l/s, 15 CFM, (25 m³/h) |
| Lighting | CEILING LIGHT Color temperature 4000 K, illuminance up to 500 lux on the tabletop. VIDEO LIGHT Color temperature 4000 K, illuminance up to 400 lux on the user's face. PRE-SET LIGHTING MODES Standard mode & Video call mode. Lighting can also be adjusted manually. |
| Presence detection | SENSOR TECHNOLOGY Ultrasonic sensor |
| Dimensions | EXTERIOR 225.5 x 122 x 100 cm / 88.8 x 48 x 39.4 in (h, w, d) WITH CASTERS Additional 3 cm / 1.18 in (h) WITH AIR FILTER additional 6.5 cm / 2.56 in (h) WITH SEISMIC KIT additional 2 cm / 0.78 in (h) DOORWAY 204 x 101.5 cm / 80.3 x 40 in (h, w) WEIGHT 357 kg / 787 lb THRESHOLD 11 cm / 4.35 in (with casters 12.3 cm / 4.85 in) |
| Connectivity | Framery smart pods gather anonymous occupancy data, measuring when and how often spaces are used. Users in the space cannot be identified and no personally identifiable data is collected. The anonymous data is transferred via built-in 4G connectivity, and compiled and shown in the Framery Connect platform. |

DIMENSIONS / MAIN VIEW



Framery One is
UL GREENGUARD GOLD
certified



Framery One shipped in North
America is UL 962 listed

Framery One / Technical specifications

MATERIALS

Exterior & structure

EXTERIOR PANELS Powder coated matt steel panels
FRAMES Structure matt black frames made from steel & aluminum
DOOR FRAME Matt black composite structure
GLASS Sound control laminated glass (4 + 4 mm / 0.16 + 0.16 in)
CHASSIS A sandwich element chassis, made of sheet metal & recycled acoustic foam
HANDLE Black cast aluminum

Interior materials

INTERIOR PANELS PET sheets which are laminated with recycled polyester fabric
UPHOLSTERY FABRIC Gabriel Tonal
CARPET Antistatic and stain resistant low loop pile carpet
TABLE Table top is birch plywood laminated with white, black anti-fingerprint, or oak veneer. The table bottom is black thermoformed felt

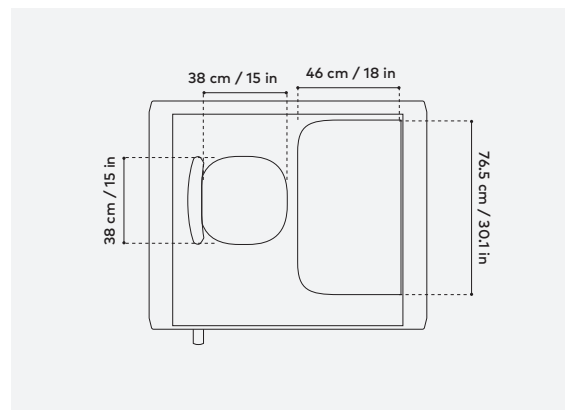
Seating materials

UPHOLSTERY FABRIC Gabriel Select
FABRIC COMPOSITION 85 % New Zealand wool / 15 % Polyamide
STOOL & FOOTREST Steel, aluminum & plastic

Furniture dimensions

TABLE SIZE 76.5 × 46 cm / 30.1 × 18 in (w, d)
TABLE HEIGHT 74–116 cm / 29.1–45.7 in
MAX LOAD FOR THE TABLE 50 kg / 110 lb
SEAT SIZE 38 × 38 cm / 15 × 15 in (w, d)
SEAT HEIGHT 59–85 cm / 23.2–33.5 in
MAX LOAD FOR THE SEAT 135 kg / 300 lb

DIMENSIONS / TOP VIEW



SAFETY

Fire safety

No fire hazardous materials are used in Framery pods. The fire safety of all surface materials, upholstery and acoustics materials of our products are tested and classified by either national or international standards. Framery provides additional safety measurements to adhere to local regulatory requirements

Seismic safety

A seismic anchoring kit for a pod is available for the seismic regions. The kit consists of brackets that further reinforce the pod structure to withstand heavy seismic forces

Framery One / Technical specifications

POWER AND SPACE REQUIREMENTS

| | |
|-------|---|
| Power | OUTLETS 1 × power outlet, 1 × USB-C charge port (15W) Optional: 1 × LAN port (with cable) POWER CONSUMPTION Default settings 28W. Highest settings 37W Standby mode 6W INPUT 100–240 VAC, 10 A*, 50–60 Hz OUTPUT AC (POWER OUTLET) 100–240VAC, 6.6A, 50–60 Hz OUTPUT USB-C CHARGE PORT 15W |
|-------|---|

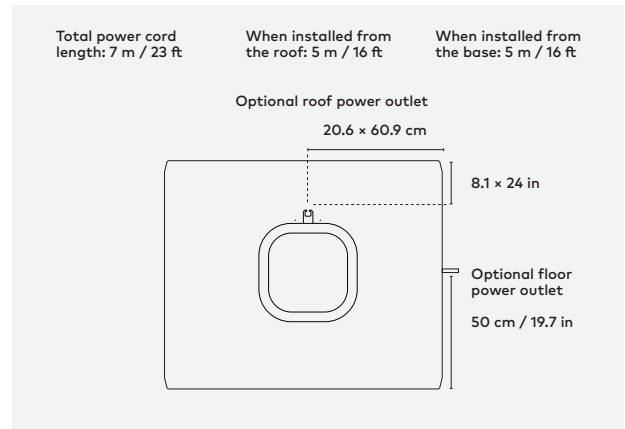
*In India power outlet type 16A is used

| | |
|--------------------|--|
| Space requirements | DOOR SWING ANGLE 90° |
| Door handedness | Right-handed by default (can also be installed left-handed) |
| Operating space | From back to front (pod depth + doorway): 201.5 cm / 79.4 in. Room height requirement: 240 cm / 94.5 in. For seismic anchoring or sprinklers leave 50 cm / 19.7 in of free space around the sides of the pod. The pod can be anchored next to the wall with optional casters |
| Installation space | Installation requires 50 cm / 19.7 in of free space around the pod |
| Movability | Relocate the pod without the need for disassembly by adding casters (optional). Levelling guides must be lifted when moving the pod, and lowered when placed in position |

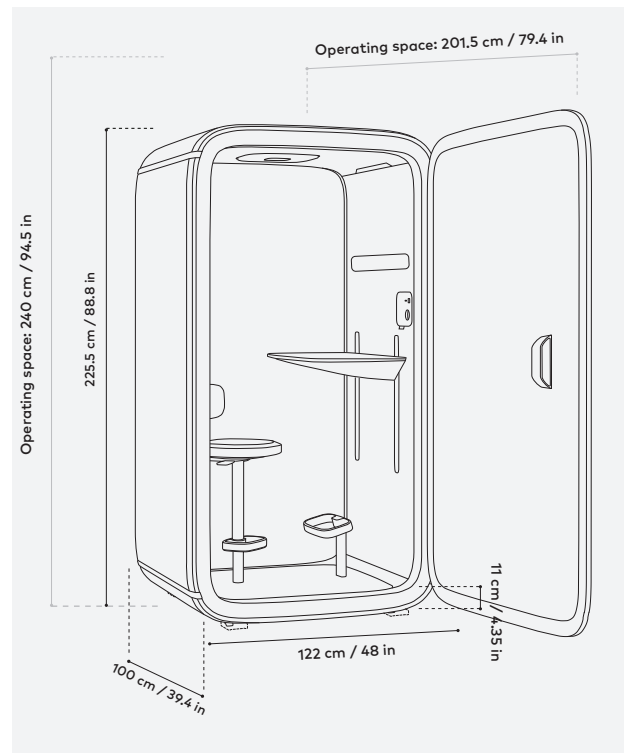
SHIPPING CRATE

| | |
|------------|--|
| Dimensions | 229 × 131 × 88 cm / 90.15 × 51.6 × 34.6 in |
| Weight | 430 kg / 948 lb Crates can be stacked (max 3 boxes) |

DIMENSIONS / POWER CORD SPECIFICATIONS



DIMENSIONS / OPERATING SPACE



For the doers,
leaders, thinkers,
dreamers, creators,
teams, pioneers
and innovators.
**For people who
get it done.**